



EUCLID®
DISC BRAKE CALIPER REPAIR KIT
CATALOGUE



AFTERMARKET PARTS WARRANTY

We warrant all new parts for one year from date of shipment to the buyer against defective material or workmanship (but not against damage caused by accident, abuse or improper installation, maintenance or repair) when such parts are used on vehicles the specifications of which have been approved by our Engineering Department.

As the exclusive remedy under this warranty, we will, at our option, repair or replace such parts free of charge, or take back the nonconforming parts and refund the monies paid by buyer for such parts, if found on examination by us to be nonconforming and if necessary return charges are prepaid.

If it is necessary to return any parts under this warranty, buyer agrees not to make any deduction on account thereof from remittances on current accounts while claims are in the process of disposition. Any expense incurred without our consent for repairs or replacement will not be allowed.

THIS WARRANTY IS EXPRESSLY IN LIEU OF ALL OTHER WARRANTIES OR CONDITIONS, EXPRESS, IMPLIED OR STATUTORY, INCLUDING ANY IMPLIED WARRANTY OF MERCHANTABILITY OR FITNESS FOR PARTICULAR PURPOSE. IN NO EVENT SHALL SELLER BE LIABLE FOR INCIDENTAL OR CONSEQUENTIAL DAMAGES OF ANY NATURE.

Only genuine Meritor replacement parts are covered by this aftermarket parts warranty.

DISCLAIMER

Information contained in this publication is in effect at the time the publication was approved for printing and is subject to change without notice or liability. Meritor, reserves the right to revise the information presented or discontinue the production of parts described at any time.

Manufacturers names, part numbers, symbols or other references appearing in this catalogue are used for reference for order of goods only.

TRADEMARK

The designated trademarks are registered marks of their respective owners and Meritor and its affiliates are not commercially connected, affiliated, or associated with any of the owners of such marks. The Meritor products presented herein are not endorsed or authorised by any of the trademark owners.

COPYRIGHT

All rights reserved. The Euclid and Meritor logo(s) or any part or layout of the catalogue cannot be printed or reproduced without written authorisation from Meritor.

TABLE OF CONTENTS

KNORR CALIPERS

SB5000	4
SB6000/7000 Types	8
SN6000/7000 Types	14

MERITOR CALIPERS

DX.195.39/40/51/52 Types	18
DX.225.21.1001K/1002K/1013K/1014K Types	24
D3 - LRG524/25/26/27/28/29/32/33/62/63/622/623 Types	30
ELSA 1 - LRG586/587/588/589 Types	34
ELSA 1 RADIAL - LRG542/43/70/71/90/91/632/633/642/643 Types	38
ELSA 2 - LRG572/573 Types	40
LM ELSA 195 - LRG702/703 Types	44
C LISA - LRG554/555 Types	48
D LISA - LRG548/49/50/51/54/55/64/65/92/93/630/631 Types	52
C & D DUCO - LRG536/537/552/553/560/561/596/597/598/599/648/649 Types	56

WABCO CALIPERS

17.5" Type	60
19.5" Type	64
22.5" Type	68

<i>CALIPER TOOL CASES</i>	70
---------------------------------	----

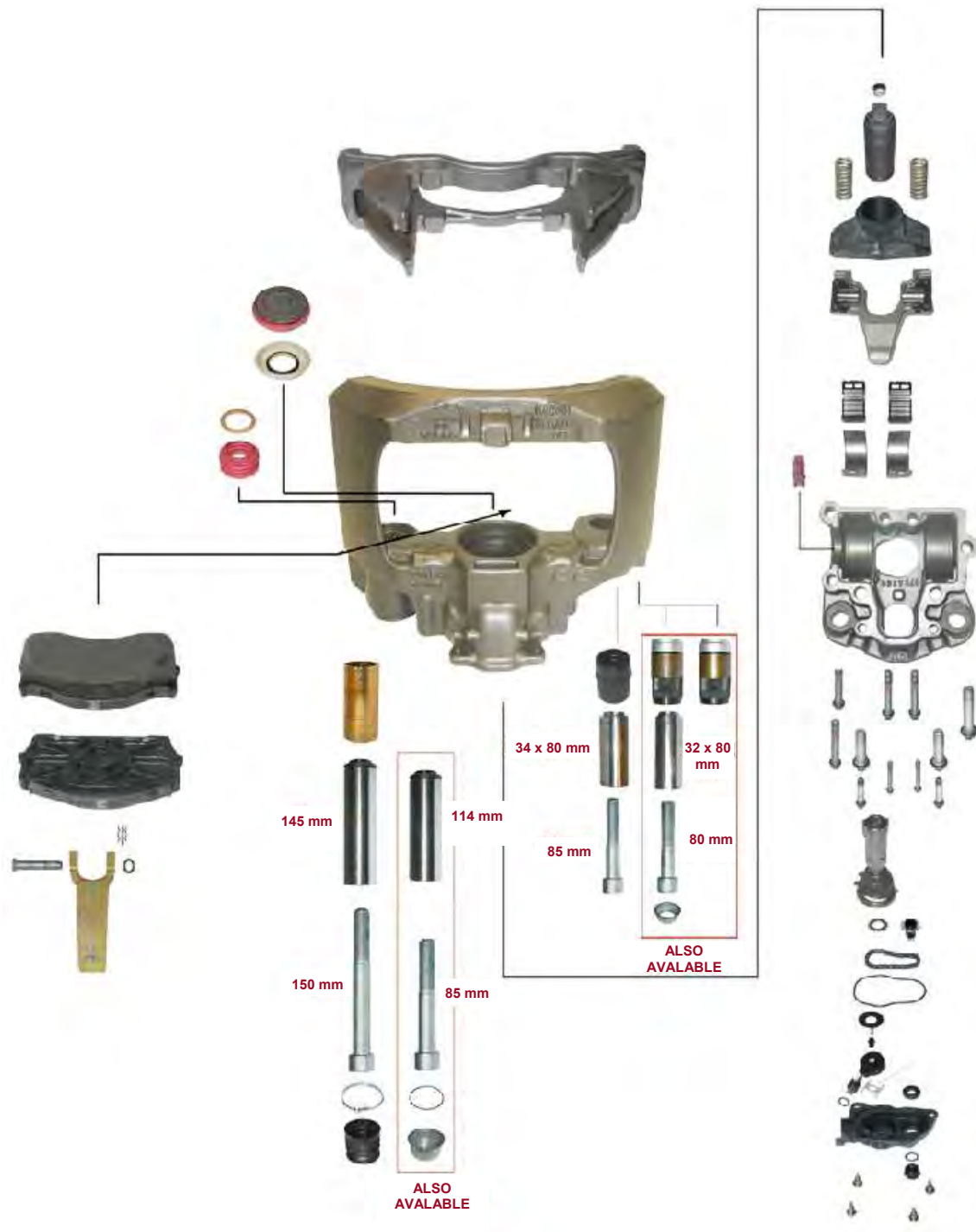
<i>NOTES</i>	71
--------------------	----



KNORR CALIPERS

SB5000 Type

TYPICAL EXPLODED VIEW OF MOST KEY MODELS ARE EXPOSED HERE, TO HELP YOU TO CHOOSE CORRECT REPAIR KITS.



KNORR CALIPERS

SB5000 Type

	<table border="1"> <tr><td>PART NO.</td><td>CKSK.1</td></tr> <tr><td>MAKER</td><td>KNORR</td></tr> <tr><td>OR PART NO.</td><td>I1328090062</td></tr> <tr><td>DESCRIPTION</td><td>Guides & seals</td></tr> <tr><td>APPLICATION</td><td>All SB...</td></tr> </table>	PART NO.	CKSK.1	MAKER	KNORR	OR PART NO.	I1328090062	DESCRIPTION	Guides & seals	APPLICATION	All SB...		<table border="1"> <tr><td>PART NO.</td><td>CKSK.4</td></tr> <tr><td>MAKER</td><td>KNORR</td></tr> <tr><td>OR PART NO.</td><td>K000944 K01604</td></tr> <tr><td>DESCRIPTION</td><td>Tappets</td></tr> <tr><td>APPLICATION</td><td>All SB...</td></tr> </table>	PART NO.	CKSK.4	MAKER	KNORR	OR PART NO.	K000944 K01604	DESCRIPTION	Tappets	APPLICATION	All SB...
PART NO.	CKSK.1																						
MAKER	KNORR																						
OR PART NO.	I1328090062																						
DESCRIPTION	Guides & seals																						
APPLICATION	All SB...																						
PART NO.	CKSK.4																						
MAKER	KNORR																						
OR PART NO.	K000944 K01604																						
DESCRIPTION	Tappets																						
APPLICATION	All SB...																						
	<table border="1"> <tr><td>PART NO.</td><td>CKSK.6</td></tr> <tr><td>MAKER</td><td>KNORR</td></tr> <tr><td>OR PART NO.</td><td>K000372 K001532</td></tr> <tr><td>DESCRIPTION</td><td>Guides & seals (new)</td></tr> <tr><td>APPLICATION</td><td>All SB... All SN...</td></tr> </table>	PART NO.	CKSK.6	MAKER	KNORR	OR PART NO.	K000372 K001532	DESCRIPTION	Guides & seals (new)	APPLICATION	All SB... All SN...		<table border="1"> <tr><td>PART NO.</td><td>CKSK.8</td></tr> <tr><td>MAKER</td><td>KNORR</td></tr> <tr><td>OR PART NO.</td><td>-</td></tr> <tr><td>DESCRIPTION</td><td>Complete overhaul</td></tr> <tr><td>APPLICATION</td><td>All SB...</td></tr> </table>	PART NO.	CKSK.8	MAKER	KNORR	OR PART NO.	-	DESCRIPTION	Complete overhaul	APPLICATION	All SB...
PART NO.	CKSK.6																						
MAKER	KNORR																						
OR PART NO.	K000372 K001532																						
DESCRIPTION	Guides & seals (new)																						
APPLICATION	All SB... All SN...																						
PART NO.	CKSK.8																						
MAKER	KNORR																						
OR PART NO.	-																						
DESCRIPTION	Complete overhaul																						
APPLICATION	All SB...																						
	<table border="1"> <tr><td>PART NO.</td><td>CKSK.8.1</td></tr> <tr><td>MAKER</td><td>KNORR</td></tr> <tr><td>OR PART NO.</td><td>-</td></tr> <tr><td>DESCRIPTION</td><td>Guides & seals</td></tr> <tr><td>APPLICATION</td><td>All SB... All SN...</td></tr> </table>	PART NO.	CKSK.8.1	MAKER	KNORR	OR PART NO.	-	DESCRIPTION	Guides & seals	APPLICATION	All SB... All SN...		<table border="1"> <tr><td>PART NO.</td><td>CKSK.12</td></tr> <tr><td>MAKER</td><td>KNORR</td></tr> <tr><td>OR PART NO.</td><td>-</td></tr> <tr><td>DESCRIPTION</td><td>Chain</td></tr> <tr><td>APPLICATION</td><td>All SB5 All SN5</td></tr> </table>	PART NO.	CKSK.12	MAKER	KNORR	OR PART NO.	-	DESCRIPTION	Chain	APPLICATION	All SB5 All SN5
PART NO.	CKSK.8.1																						
MAKER	KNORR																						
OR PART NO.	-																						
DESCRIPTION	Guides & seals																						
APPLICATION	All SB... All SN...																						
PART NO.	CKSK.12																						
MAKER	KNORR																						
OR PART NO.	-																						
DESCRIPTION	Chain																						
APPLICATION	All SB5 All SN5																						
	<table border="1"> <tr><td>PART NO.</td><td>CKSK.5</td></tr> <tr><td>MAKER</td><td>KNORR</td></tr> <tr><td>OR PART NO.</td><td>-</td></tr> <tr><td>DESCRIPTION</td><td>Outer boot & steelcap</td></tr> <tr><td>APPLICATION</td><td>All SB... All SN...</td></tr> </table>	PART NO.	CKSK.5	MAKER	KNORR	OR PART NO.	-	DESCRIPTION	Outer boot & steelcap	APPLICATION	All SB... All SN...		<table border="1"> <tr><td>PART NO.</td><td>CKSK.11.1</td></tr> <tr><td>MAKER</td><td>KNORR</td></tr> <tr><td>OR PART NO.</td><td>-</td></tr> <tr><td>DESCRIPTION</td><td>Gear wheel adj. mechanism</td></tr> <tr><td>APPLICATION</td><td>All SB... All SN...</td></tr> </table>	PART NO.	CKSK.11.1	MAKER	KNORR	OR PART NO.	-	DESCRIPTION	Gear wheel adj. mechanism	APPLICATION	All SB... All SN...
PART NO.	CKSK.5																						
MAKER	KNORR																						
OR PART NO.	-																						
DESCRIPTION	Outer boot & steelcap																						
APPLICATION	All SB... All SN...																						
PART NO.	CKSK.11.1																						
MAKER	KNORR																						
OR PART NO.	-																						
DESCRIPTION	Gear wheel adj. mechanism																						
APPLICATION	All SB... All SN...																						
	<table border="1"> <tr><td>PART NO.</td><td>CKSK.14</td></tr> <tr><td>MAKER</td><td>KNORR</td></tr> <tr><td>OR PART NO.</td><td>-</td></tr> <tr><td>DESCRIPTION</td><td>Roller bearings</td></tr> <tr><td>APPLICATION</td><td>All SB...</td></tr> </table>	PART NO.	CKSK.14	MAKER	KNORR	OR PART NO.	-	DESCRIPTION	Roller bearings	APPLICATION	All SB...		<table border="1"> <tr><td>PART NO.</td><td>CKSK.13.3</td></tr> <tr><td>MAKER</td><td>KNORR</td></tr> <tr><td>OR PART NO.</td><td>-</td></tr> <tr><td>DESCRIPTION</td><td>Guides & Bush</td></tr> <tr><td>APPLICATION</td><td>SB5/6/7</td></tr> </table>	PART NO.	CKSK.13.3	MAKER	KNORR	OR PART NO.	-	DESCRIPTION	Guides & Bush	APPLICATION	SB5/6/7
PART NO.	CKSK.14																						
MAKER	KNORR																						
OR PART NO.	-																						
DESCRIPTION	Roller bearings																						
APPLICATION	All SB...																						
PART NO.	CKSK.13.3																						
MAKER	KNORR																						
OR PART NO.	-																						
DESCRIPTION	Guides & Bush																						
APPLICATION	SB5/6/7																						

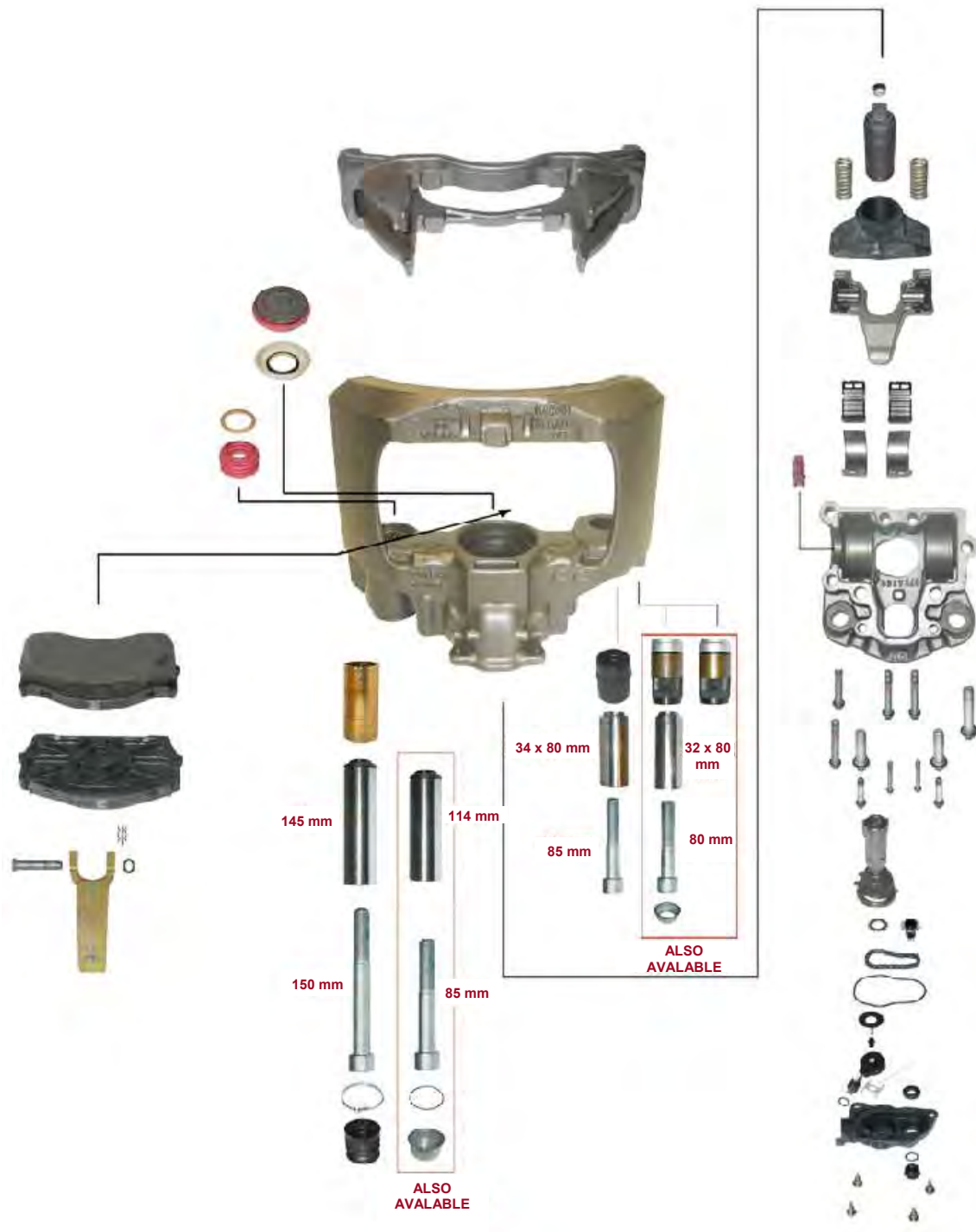
[MORE KITS NEXT PAGE](#)



KNORR CALIPERS

SB5000 Type

TYPICAL EXPLODED VIEW OF MOST KEY MODELS ARE EXPOSED HERE, TO HELP YOU TO CHOOSE CORRECT REPAIR KITS.



KNORR CALIPERS

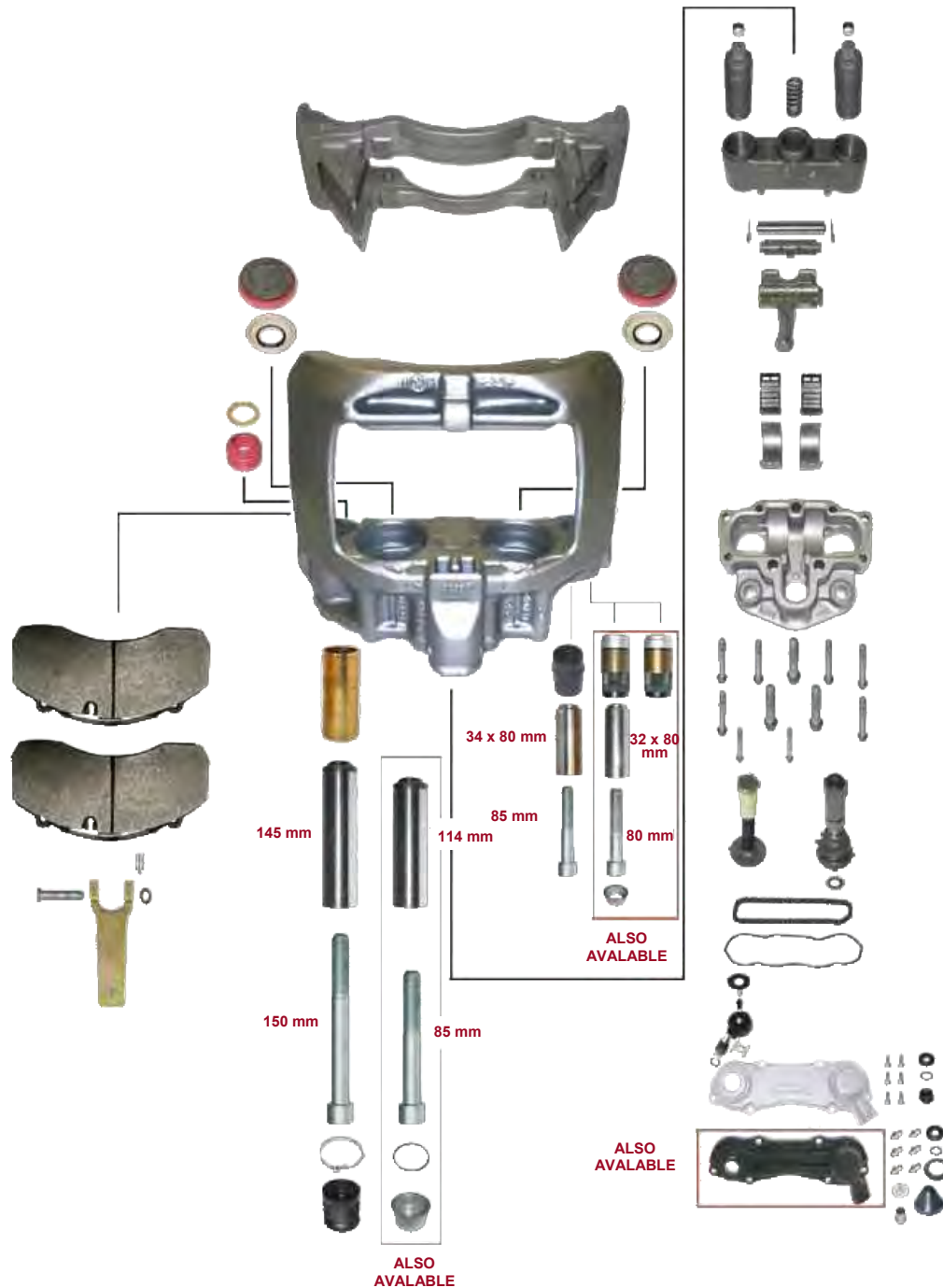
SB5000 Type

	<table border="1"> <tr> <td>PART NO.</td> <td>CKSK.13.3B</td> </tr> <tr> <td>MAKER</td> <td>KNORR</td> </tr> <tr> <td>OR PART NO.</td> <td>II368470064</td> </tr> <tr> <td>DESCRIPTION</td> <td>Guide, bush & 1 screw</td> </tr> <tr> <td>APPLICATION</td> <td>SB5/6/7 SN5/6/7</td> </tr> </table>	PART NO.	CKSK.13.3B	MAKER	KNORR	OR PART NO.	II368470064	DESCRIPTION	Guide, bush & 1 screw	APPLICATION	SB5/6/7 SN5/6/7		<table border="1"> <tr> <td>PART NO.</td> <td>CKSK.2.7</td> </tr> <tr> <td>MAKER</td> <td>KNORR</td> </tr> <tr> <td>OR PART NO.</td> <td>-</td> </tr> <tr> <td>DESCRIPTION</td> <td>Caps & pad retainer pins</td> </tr> <tr> <td>APPLICATION</td> <td>All SB... All SN...</td> </tr> </table>	PART NO.	CKSK.2.7	MAKER	KNORR	OR PART NO.	-	DESCRIPTION	Caps & pad retainer pins	APPLICATION	All SB... All SN...
PART NO.	CKSK.13.3B																						
MAKER	KNORR																						
OR PART NO.	II368470064																						
DESCRIPTION	Guide, bush & 1 screw																						
APPLICATION	SB5/6/7 SN5/6/7																						
PART NO.	CKSK.2.7																						
MAKER	KNORR																						
OR PART NO.	-																						
DESCRIPTION	Caps & pad retainer pins																						
APPLICATION	All SB... All SN...																						
	<table border="1"> <tr> <td>PART NO.</td> <td>CKSK.10.8</td> </tr> <tr> <td>MAKER</td> <td>KNORR</td> </tr> <tr> <td>OR PART NO.</td> <td>-</td> </tr> <tr> <td>DESCRIPTION</td> <td>Pinion shaft</td> </tr> <tr> <td>APPLICATION</td> <td>SB5 SN5</td> </tr> </table>	PART NO.	CKSK.10.8	MAKER	KNORR	OR PART NO.	-	DESCRIPTION	Pinion shaft	APPLICATION	SB5 SN5		<table border="1"> <tr> <td>PART NO.</td> <td>CKSK.10.5</td> </tr> <tr> <td>MAKER</td> <td>KNORR</td> </tr> <tr> <td>OR PART NO.</td> <td>-</td> </tr> <tr> <td>DESCRIPTION</td> <td>Adjusting mechanism</td> </tr> <tr> <td>APPLICATION</td> <td>SB5 SN5</td> </tr> </table>	PART NO.	CKSK.10.5	MAKER	KNORR	OR PART NO.	-	DESCRIPTION	Adjusting mechanism	APPLICATION	SB5 SN5
PART NO.	CKSK.10.8																						
MAKER	KNORR																						
OR PART NO.	-																						
DESCRIPTION	Pinion shaft																						
APPLICATION	SB5 SN5																						
PART NO.	CKSK.10.5																						
MAKER	KNORR																						
OR PART NO.	-																						
DESCRIPTION	Adjusting mechanism																						
APPLICATION	SB5 SN5																						
	<table border="1"> <tr> <td>PART NO.</td> <td>CKSK.13.4</td> </tr> <tr> <td>MAKER</td> <td>KNORR</td> </tr> <tr> <td>OR PART NO.</td> <td>K000698</td> </tr> <tr> <td>DESCRIPTION</td> <td>Guide bush Ø 35mm screw & seal</td> </tr> <tr> <td>APPLICATION</td> <td>All SB...</td> </tr> </table>	PART NO.	CKSK.13.4	MAKER	KNORR	OR PART NO.	K000698	DESCRIPTION	Guide bush Ø 35mm screw & seal	APPLICATION	All SB...												
PART NO.	CKSK.13.4																						
MAKER	KNORR																						
OR PART NO.	K000698																						
DESCRIPTION	Guide bush Ø 35mm screw & seal																						
APPLICATION	All SB...																						

KNORR CALIPERS










SB6000/7000 Types

TYPICAL EXPLODED VIEW OF MOST KEY MODELS ARE EXPOSED HERE, TO HELP YOU TO CHOOSE CORRECT REPAIR KITS.



KNORR CALIPERS

SB6000/7000 Types

	PART NO. CKSK.1 MAKER KNORR OR PART NO. I1328090062 DESCRIPTION Guides & seals APPLICATION All SB...		PART NO. CKSK.14 MAKER KNORR OR PART NO. - DESCRIPTION Roller bearings APPLICATION All SB...
	PART NO. CKSK.6 MAKER KNORR OR PART NO. K000372 K001532 DESCRIPTION Guides & seals APPLICATION All SB...		PART NO. CKSK.2.7 MAKER KNORR OR PART NO. - DESCRIPTION Caps & pad retainer pins APPLICATION All SB... All SN...
	PART NO. CKSK.8.1 MAKER KNORR OR PART NO. - DESCRIPTION Guides & seals APPLICATION All SB... All SN...		PART NO. CKSK.4 MAKER KNORR OR PART NO. K000944 K01604 DESCRIPTION Tappets APPLICATION All SB...
	PART NO. CKSK.16.1 MAKER KNORR OR PART NO. Euclid only DESCRIPTION Plastic cover APPLICATION SB6/7 series SN6/7 series		PART NO. CKSK.8 MAKER KNORR OR PART NO. - DESCRIPTION Complete overhaul APPLICATION All SB...
	PART NO. CKSK.10.3 MAKER KNORR OR PART NO. - DESCRIPTION Adjusting mechanism APPLICATION All SB... All SN...		PART NO. CKSK.17 MAKER KNORR OR PART NO. - DESCRIPTION Bridge assy - pistons APPLICATION SB6/7 series

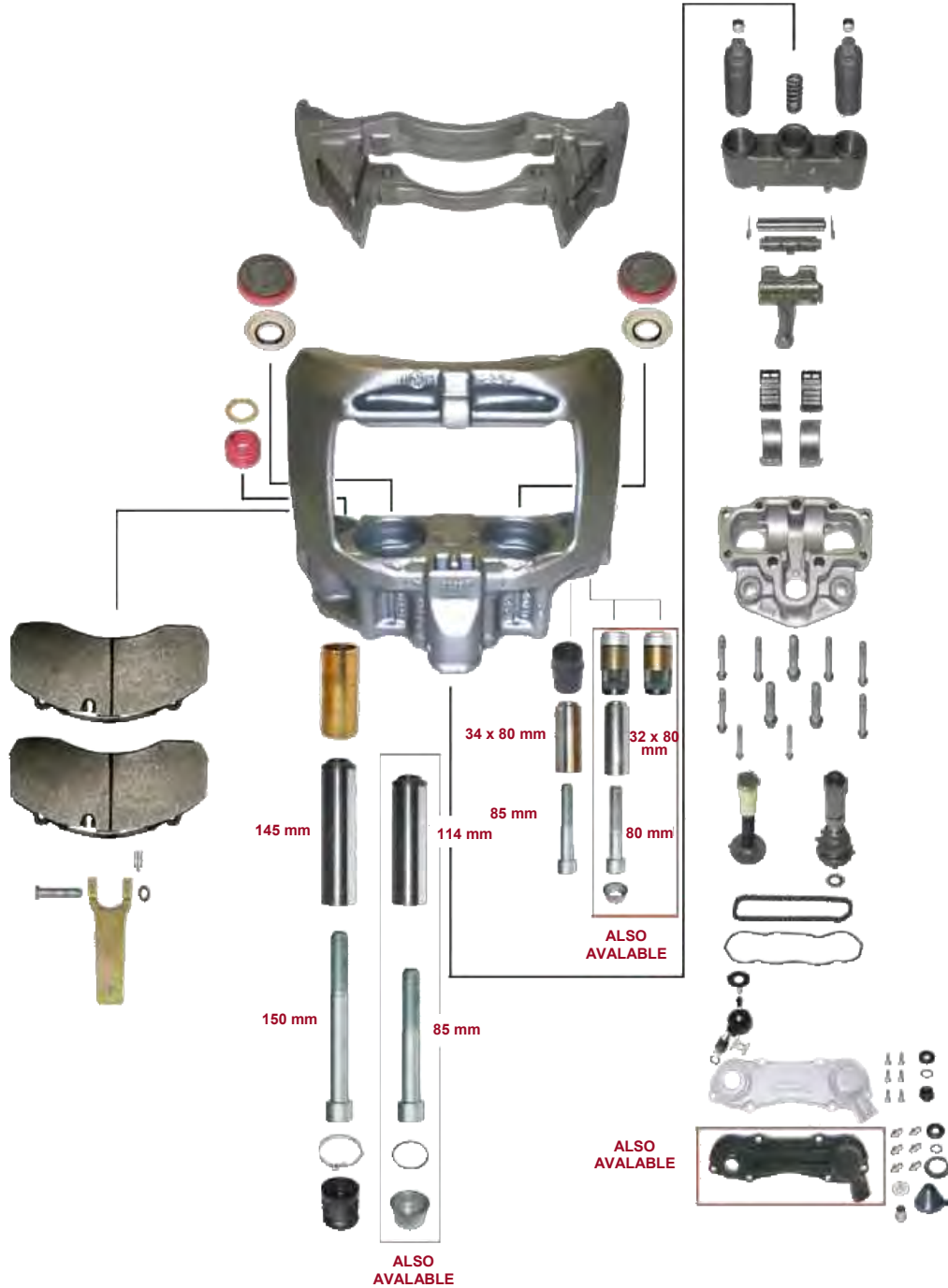
[MORE KITS NEXT PAGE](#)



KNORR CALIPERS





SB6000/7000 Types

TYPICAL EXPLODED VIEW OF MOST KEY MODELS ARE EXPOSED HERE, TO HELP YOU TO CHOOSE CORRECT REPAIR KITS.



KNORR CALIPERS

SB6000/7000 Types

	<table border="1"> <tr><td>PART NO.</td><td>CKSK.16</td></tr> <tr><td>MAKER</td><td>KNORR</td></tr> <tr><td>OR PART NO.</td><td>Euclid only</td></tr> <tr><td>DESCRIPTION</td><td>Aluminium cover</td></tr> <tr><td>APPLICATION</td><td>SB6/7 series SN6/7 series</td></tr> </table>	PART NO.	CKSK.16	MAKER	KNORR	OR PART NO.	Euclid only	DESCRIPTION	Aluminium cover	APPLICATION	SB6/7 series SN6/7 series		<table border="1"> <tr><td>PART NO.</td><td>CKSK.11.1</td></tr> <tr><td>MAKER</td><td>KNORR</td></tr> <tr><td>OR PART NO.</td><td>-</td></tr> <tr><td>DESCRIPTION</td><td>Gear wheel adj mechanism</td></tr> <tr><td>APPLICATION</td><td>All SB... All SN...</td></tr> </table>	PART NO.	CKSK.11.1	MAKER	KNORR	OR PART NO.	-	DESCRIPTION	Gear wheel adj mechanism	APPLICATION	All SB... All SN...
PART NO.	CKSK.16																						
MAKER	KNORR																						
OR PART NO.	Euclid only																						
DESCRIPTION	Aluminium cover																						
APPLICATION	SB6/7 series SN6/7 series																						
PART NO.	CKSK.11.1																						
MAKER	KNORR																						
OR PART NO.	-																						
DESCRIPTION	Gear wheel adj mechanism																						
APPLICATION	All SB... All SN...																						
	<table border="1"> <tr><td>PART NO.</td><td>CKSK.10.4</td></tr> <tr><td>MAKER</td><td>KNORR</td></tr> <tr><td>OR PART NO.</td><td>-</td></tr> <tr><td>DESCRIPTION</td><td>Adjusting mechanism</td></tr> <tr><td>APPLICATION</td><td>All SB...</td></tr> </table>	PART NO.	CKSK.10.4	MAKER	KNORR	OR PART NO.	-	DESCRIPTION	Adjusting mechanism	APPLICATION	All SB...	 <p>WVA n° : 29059 / 29087 / 29061</p>	<table border="1"> <tr><td>PART NO.</td><td>MDP3087K</td></tr> <tr><td>MAKER</td><td>KNORR</td></tr> <tr><td>OR PART NO.</td><td>II380280062</td></tr> <tr><td>DESCRIPTION</td><td>Brake pads</td></tr> <tr><td>APPLICATION</td><td>SB7 series SN7 series</td></tr> </table>	PART NO.	MDP3087K	MAKER	KNORR	OR PART NO.	II380280062	DESCRIPTION	Brake pads	APPLICATION	SB7 series SN7 series
PART NO.	CKSK.10.4																						
MAKER	KNORR																						
OR PART NO.	-																						
DESCRIPTION	Adjusting mechanism																						
APPLICATION	All SB...																						
PART NO.	MDP3087K																						
MAKER	KNORR																						
OR PART NO.	II380280062																						
DESCRIPTION	Brake pads																						
APPLICATION	SB7 series SN7 series																						
	<table border="1"> <tr><td>PART NO.</td><td>CKSK.11</td></tr> <tr><td>MAKER</td><td>KNORR</td></tr> <tr><td>OR PART NO.</td><td>-</td></tr> <tr><td>DESCRIPTION</td><td>Chain</td></tr> <tr><td>APPLICATION</td><td>SB6/7 series SN6/7 series</td></tr> </table>	PART NO.	CKSK.11	MAKER	KNORR	OR PART NO.	-	DESCRIPTION	Chain	APPLICATION	SB6/7 series SN6/7 series	 <p>WVA n° : 29094 / 29095</p>	<table border="1"> <tr><td>PART NO.</td><td>MDP3095K</td></tr> <tr><td>MAKER</td><td>KNORR</td></tr> <tr><td>OR PART NO.</td><td>II319880062</td></tr> <tr><td>DESCRIPTION</td><td>Brake pads</td></tr> <tr><td>APPLICATION</td><td>SB6 series SN6 series</td></tr> </table>	PART NO.	MDP3095K	MAKER	KNORR	OR PART NO.	II319880062	DESCRIPTION	Brake pads	APPLICATION	SB6 series SN6 series
PART NO.	CKSK.11																						
MAKER	KNORR																						
OR PART NO.	-																						
DESCRIPTION	Chain																						
APPLICATION	SB6/7 series SN6/7 series																						
PART NO.	MDP3095K																						
MAKER	KNORR																						
OR PART NO.	II319880062																						
DESCRIPTION	Brake pads																						
APPLICATION	SB6 series SN6 series																						
	<table border="1"> <tr><td>PART NO.</td><td>CKSK.5</td></tr> <tr><td>MAKER</td><td>KNORR</td></tr> <tr><td>OR PART NO.</td><td>-</td></tr> <tr><td>DESCRIPTION</td><td>Outer boot & steelcap</td></tr> <tr><td>APPLICATION</td><td>All SB... All SN...</td></tr> </table>	PART NO.	CKSK.5	MAKER	KNORR	OR PART NO.	-	DESCRIPTION	Outer boot & steelcap	APPLICATION	All SB... All SN...	 <p>-12° FOR SB.7...</p>	<table border="1"> <tr><td>PART NO.</td><td>CKSK.18</td></tr> <tr><td>MAKER</td><td>KNORR</td></tr> <tr><td>OR PART NO.</td><td>-</td></tr> <tr><td>DESCRIPTION</td><td>Lever (angle +12°)</td></tr> <tr><td>APPLICATION</td><td>SB7 series</td></tr> </table>	PART NO.	CKSK.18	MAKER	KNORR	OR PART NO.	-	DESCRIPTION	Lever (angle +12°)	APPLICATION	SB7 series
PART NO.	CKSK.5																						
MAKER	KNORR																						
OR PART NO.	-																						
DESCRIPTION	Outer boot & steelcap																						
APPLICATION	All SB... All SN...																						
PART NO.	CKSK.18																						
MAKER	KNORR																						
OR PART NO.	-																						
DESCRIPTION	Lever (angle +12°)																						
APPLICATION	SB7 series																						
	<table border="1"> <tr><td>PART NO.</td><td>CKSK.2.5</td></tr> <tr><td>MAKER</td><td>KNORR</td></tr> <tr><td>OR PART NO.</td><td>II19712004</td></tr> <tr><td>DESCRIPTION</td><td>Pad retainer</td></tr> <tr><td>APPLICATION</td><td>All SB... All SN...</td></tr> </table>	PART NO.	CKSK.2.5	MAKER	KNORR	OR PART NO.	II19712004	DESCRIPTION	Pad retainer	APPLICATION	All SB... All SN...	 <p>0° FOR SB.7...</p>	<table border="1"> <tr><td>PART NO.</td><td>CKSK.18.1</td></tr> <tr><td>MAKER</td><td>KNORR</td></tr> <tr><td>OR PART NO.</td><td>-</td></tr> <tr><td>DESCRIPTION</td><td>Lever (angle +0°)</td></tr> <tr><td>APPLICATION</td><td>SB7 series</td></tr> </table>	PART NO.	CKSK.18.1	MAKER	KNORR	OR PART NO.	-	DESCRIPTION	Lever (angle +0°)	APPLICATION	SB7 series
PART NO.	CKSK.2.5																						
MAKER	KNORR																						
OR PART NO.	II19712004																						
DESCRIPTION	Pad retainer																						
APPLICATION	All SB... All SN...																						
PART NO.	CKSK.18.1																						
MAKER	KNORR																						
OR PART NO.	-																						
DESCRIPTION	Lever (angle +0°)																						
APPLICATION	SB7 series																						

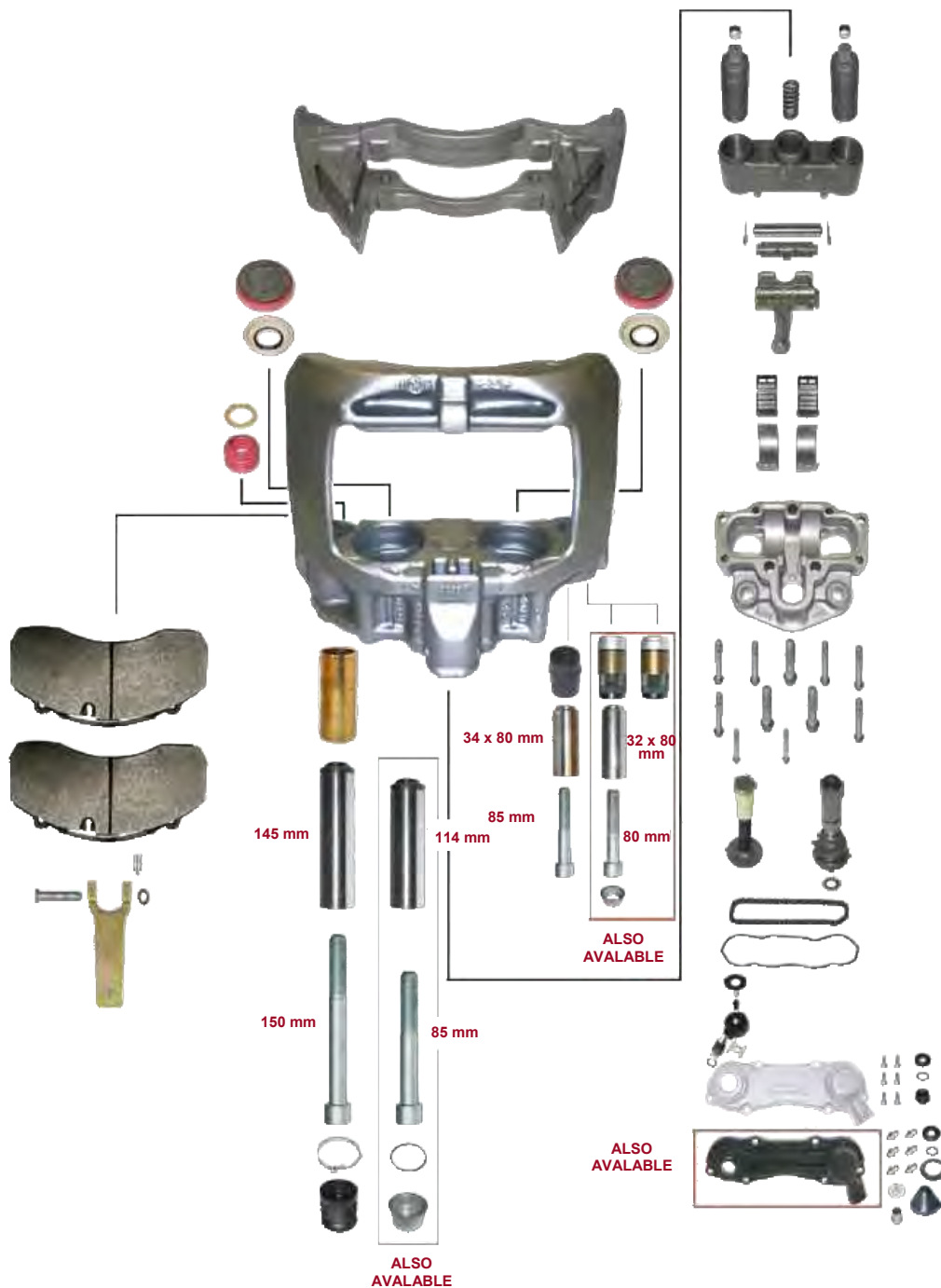
[MORE KITS NEXT PAGE](#)



KNORR CALIPERS

SB6000/7000 Types

TYPICAL EXPLODED VIEW OF MOST KEY MODELS ARE EXPOSED HERE, TO HELP YOU TO CHOOSE CORRECT REPAIR KITS.



KNORR CALIPERS

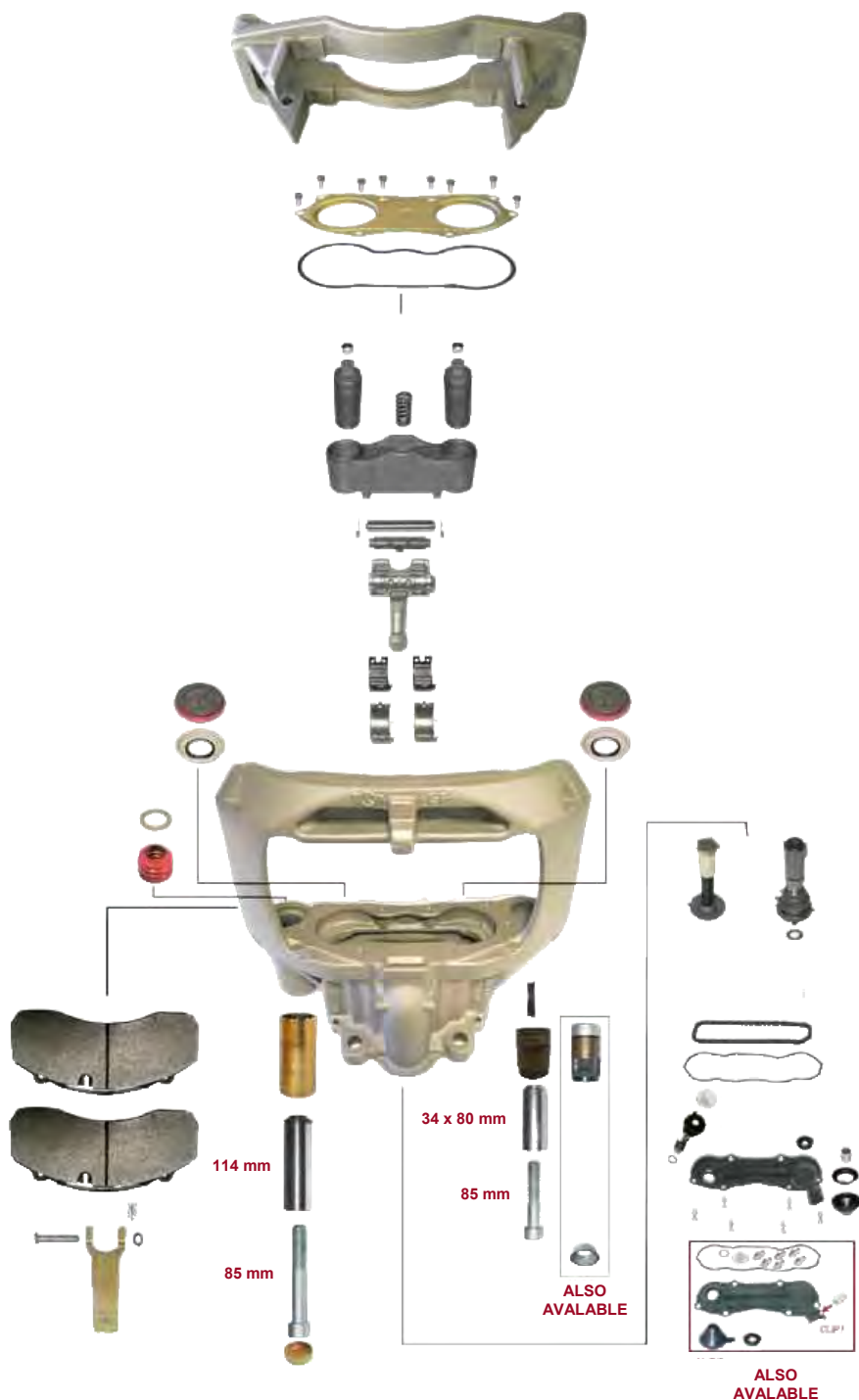
SB6000/7000 Types

	<table border="1"> <tr><td>PART NO.</td><td>CKSK.13.1</td></tr> <tr><td>MAKER</td><td>KNORR</td></tr> <tr><td>OR PART NO.</td><td>-</td></tr> <tr><td>DESCRIPTION</td><td>Guide & bush Ø 35mm</td></tr> <tr><td>APPLICATION</td><td>SB5/6/7 SN5/6/7</td></tr> </table>	PART NO.	CKSK.13.1	MAKER	KNORR	OR PART NO.	-	DESCRIPTION	Guide & bush Ø 35mm	APPLICATION	SB5/6/7 SN5/6/7		<table border="1"> <tr><td>PART NO.</td><td>CKSK.10.1</td></tr> <tr><td>MAKER</td><td>KNORR</td></tr> <tr><td>OR PART NO.</td><td>-</td></tr> <tr><td>DESCRIPTION</td><td>Pinion shaft</td></tr> <tr><td>APPLICATION</td><td>All SB... All SN...</td></tr> </table>	PART NO.	CKSK.10.1	MAKER	KNORR	OR PART NO.	-	DESCRIPTION	Pinion shaft	APPLICATION	All SB... All SN...
PART NO.	CKSK.13.1																						
MAKER	KNORR																						
OR PART NO.	-																						
DESCRIPTION	Guide & bush Ø 35mm																						
APPLICATION	SB5/6/7 SN5/6/7																						
PART NO.	CKSK.10.1																						
MAKER	KNORR																						
OR PART NO.	-																						
DESCRIPTION	Pinion shaft																						
APPLICATION	All SB... All SN...																						
	<table border="1"> <tr><td>PART NO.</td><td>CKSK.13.2</td></tr> <tr><td>MAKER</td><td>KNORR</td></tr> <tr><td>OR PART NO.</td><td>-</td></tr> <tr><td>DESCRIPTION</td><td>Guide & bush Ø 39mm</td></tr> <tr><td>APPLICATION</td><td>SB5/6/7 SN5/6/7</td></tr> </table>	PART NO.	CKSK.13.2	MAKER	KNORR	OR PART NO.	-	DESCRIPTION	Guide & bush Ø 39mm	APPLICATION	SB5/6/7 SN5/6/7		<table border="1"> <tr><td>PART NO.</td><td>CKSK.15</td></tr> <tr><td>MAKER</td><td>KNORR</td></tr> <tr><td>OR PART NO.</td><td>-</td></tr> <tr><td>DESCRIPTION</td><td>Lever bearing</td></tr> <tr><td>APPLICATION</td><td>All SB... All SN...</td></tr> </table>	PART NO.	CKSK.15	MAKER	KNORR	OR PART NO.	-	DESCRIPTION	Lever bearing	APPLICATION	All SB... All SN...
PART NO.	CKSK.13.2																						
MAKER	KNORR																						
OR PART NO.	-																						
DESCRIPTION	Guide & bush Ø 39mm																						
APPLICATION	SB5/6/7 SN5/6/7																						
PART NO.	CKSK.15																						
MAKER	KNORR																						
OR PART NO.	-																						
DESCRIPTION	Lever bearing																						
APPLICATION	All SB... All SN...																						
	<table border="1"> <tr><td>PART NO.</td><td>CKSK.13.3</td></tr> <tr><td>MAKER</td><td>KNORR</td></tr> <tr><td>OR PART NO.</td><td>-</td></tr> <tr><td>DESCRIPTION</td><td>Guide & bush</td></tr> <tr><td>APPLICATION</td><td>SB5/6/7 SN5/6/7</td></tr> </table>	PART NO.	CKSK.13.3	MAKER	KNORR	OR PART NO.	-	DESCRIPTION	Guide & bush	APPLICATION	SB5/6/7 SN5/6/7		<table border="1"> <tr><td>PART NO.</td><td>CKSK.18.5</td></tr> <tr><td>MAKER</td><td>KNORR</td></tr> <tr><td>OR PART NO.</td><td>-</td></tr> <tr><td>DESCRIPTION</td><td>R/Kit screws</td></tr> <tr><td>APPLICATION</td><td>All SB...</td></tr> </table>	PART NO.	CKSK.18.5	MAKER	KNORR	OR PART NO.	-	DESCRIPTION	R/Kit screws	APPLICATION	All SB...
PART NO.	CKSK.13.3																						
MAKER	KNORR																						
OR PART NO.	-																						
DESCRIPTION	Guide & bush																						
APPLICATION	SB5/6/7 SN5/6/7																						
PART NO.	CKSK.18.5																						
MAKER	KNORR																						
OR PART NO.	-																						
DESCRIPTION	R/Kit screws																						
APPLICATION	All SB...																						
	<table border="1"> <tr><td>PART NO.</td><td>CKSK.13.3B</td></tr> <tr><td>MAKER</td><td>KNORR</td></tr> <tr><td>OR PART NO.</td><td>II368470064</td></tr> <tr><td>DESCRIPTION</td><td>Guide, bush & 1 screw</td></tr> <tr><td>APPLICATION</td><td>SB5/6/7 SN5/6/7</td></tr> </table>	PART NO.	CKSK.13.3B	MAKER	KNORR	OR PART NO.	II368470064	DESCRIPTION	Guide, bush & 1 screw	APPLICATION	SB5/6/7 SN5/6/7		<table border="1"> <tr><td>PART NO.</td><td>CKSK.1.1</td></tr> <tr><td>MAKER</td><td>KNORR</td></tr> <tr><td>OR PART NO.</td><td>II328090061</td></tr> <tr><td>DESCRIPTION</td><td>Guide seals & boot</td></tr> <tr><td>APPLICATION</td><td>All SB...</td></tr> </table>	PART NO.	CKSK.1.1	MAKER	KNORR	OR PART NO.	II328090061	DESCRIPTION	Guide seals & boot	APPLICATION	All SB...
PART NO.	CKSK.13.3B																						
MAKER	KNORR																						
OR PART NO.	II368470064																						
DESCRIPTION	Guide, bush & 1 screw																						
APPLICATION	SB5/6/7 SN5/6/7																						
PART NO.	CKSK.1.1																						
MAKER	KNORR																						
OR PART NO.	II328090061																						
DESCRIPTION	Guide seals & boot																						
APPLICATION	All SB...																						
	<table border="1"> <tr><td>PART NO.</td><td>CKSK.2.8</td></tr> <tr><td>MAKER</td><td>KNORR</td></tr> <tr><td>OR PART NO.</td><td>Z001548</td></tr> <tr><td>DESCRIPTION</td><td>Top hexagonal nut for grooved adj mechanism</td></tr> <tr><td>APPLICATION</td><td>All SB... All SN...</td></tr> </table>	PART NO.	CKSK.2.8	MAKER	KNORR	OR PART NO.	Z001548	DESCRIPTION	Top hexagonal nut for grooved adj mechanism	APPLICATION	All SB... All SN...												
PART NO.	CKSK.2.8																						
MAKER	KNORR																						
OR PART NO.	Z001548																						
DESCRIPTION	Top hexagonal nut for grooved adj mechanism																						
APPLICATION	All SB... All SN...																						

KNORR CALIPERS

SN6000/7000 Types

TYPICAL EXPLODED VIEW OF MOST KEY MODELS ARE EXPOSED HERE, TO HELP YOU TO CHOOSE CORRECT REPAIR KITS.



KNORR CALIPERS

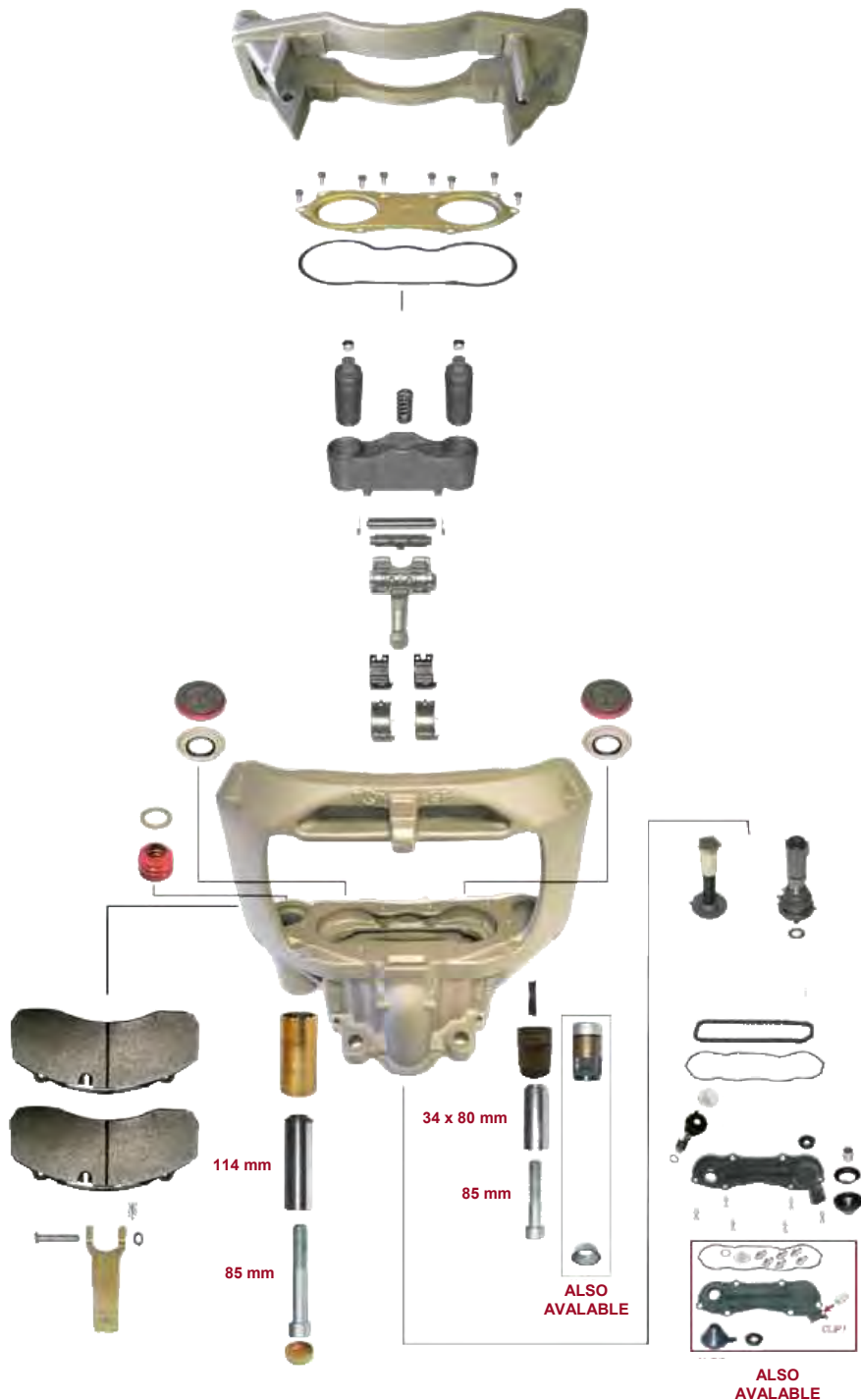
SN6000/7000 Types

	<table border="1"> <tr><td>PART NO.</td><td>CKSK.3.2</td></tr> <tr><td>MAKER</td><td>KNORR</td></tr> <tr><td>OR PART NO.</td><td>K000472</td></tr> <tr><td>DESCRIPTION</td><td>Guides & seals</td></tr> <tr><td>APPLICATION</td><td>SN6/7 series</td></tr> </table>	PART NO.	CKSK.3.2	MAKER	KNORR	OR PART NO.	K000472	DESCRIPTION	Guides & seals	APPLICATION	SN6/7 series		<table border="1"> <tr><td>PART NO.</td><td>CKSK.8.1</td></tr> <tr><td>MAKER</td><td>KNORR</td></tr> <tr><td>OR PART NO.</td><td>-</td></tr> <tr><td>DESCRIPTION</td><td>Guide & seals</td></tr> <tr><td>APPLICATION</td><td>All SB... All SN...</td></tr> </table>	PART NO.	CKSK.8.1	MAKER	KNORR	OR PART NO.	-	DESCRIPTION	Guide & seals	APPLICATION	All SB... All SN...
PART NO.	CKSK.3.2																						
MAKER	KNORR																						
OR PART NO.	K000472																						
DESCRIPTION	Guides & seals																						
APPLICATION	SN6/7 series																						
PART NO.	CKSK.8.1																						
MAKER	KNORR																						
OR PART NO.	-																						
DESCRIPTION	Guide & seals																						
APPLICATION	All SB... All SN...																						
	<table border="1"> <tr><td>PART NO.</td><td>CKSK.4.2</td></tr> <tr><td>MAKER</td><td>KNORR</td></tr> <tr><td>OR PART NO.</td><td>K001300</td></tr> <tr><td>DESCRIPTION</td><td>Tappets</td></tr> <tr><td>APPLICATION</td><td>All SN / NA / SK</td></tr> </table>	PART NO.	CKSK.4.2	MAKER	KNORR	OR PART NO.	K001300	DESCRIPTION	Tappets	APPLICATION	All SN / NA / SK		<table border="1"> <tr><td>PART NO.</td><td>CKSK.22</td></tr> <tr><td>MAKER</td><td>KNORR</td></tr> <tr><td>OR PART NO.</td><td>-</td></tr> <tr><td>DESCRIPTION</td><td>Cover & gasket</td></tr> <tr><td>APPLICATION</td><td>SN7 series</td></tr> </table>	PART NO.	CKSK.22	MAKER	KNORR	OR PART NO.	-	DESCRIPTION	Cover & gasket	APPLICATION	SN7 series
PART NO.	CKSK.4.2																						
MAKER	KNORR																						
OR PART NO.	K001300																						
DESCRIPTION	Tappets																						
APPLICATION	All SN / NA / SK																						
PART NO.	CKSK.22																						
MAKER	KNORR																						
OR PART NO.	-																						
DESCRIPTION	Cover & gasket																						
APPLICATION	SN7 series																						
	<table border="1"> <tr><td>PART NO.</td><td>CKSK.5</td></tr> <tr><td>MAKER</td><td>KNORR</td></tr> <tr><td>OR PART NO.</td><td>K001301</td></tr> <tr><td>DESCRIPTION</td><td>Outer boots & steelcaps</td></tr> <tr><td>APPLICATION</td><td>All SB... All SN...</td></tr> </table>	PART NO.	CKSK.5	MAKER	KNORR	OR PART NO.	K001301	DESCRIPTION	Outer boots & steelcaps	APPLICATION	All SB... All SN...		<table border="1"> <tr><td>PART NO.</td><td>CKSK.10.1</td></tr> <tr><td>MAKER</td><td>KNORR</td></tr> <tr><td>OR PART NO.</td><td>-</td></tr> <tr><td>DESCRIPTION</td><td>Pinion shaft</td></tr> <tr><td>APPLICATION</td><td>All SB... All SN...</td></tr> </table>	PART NO.	CKSK.10.1	MAKER	KNORR	OR PART NO.	-	DESCRIPTION	Pinion shaft	APPLICATION	All SB... All SN...
PART NO.	CKSK.5																						
MAKER	KNORR																						
OR PART NO.	K001301																						
DESCRIPTION	Outer boots & steelcaps																						
APPLICATION	All SB... All SN...																						
PART NO.	CKSK.10.1																						
MAKER	KNORR																						
OR PART NO.	-																						
DESCRIPTION	Pinion shaft																						
APPLICATION	All SB... All SN...																						
	<table border="1"> <tr><td>PART NO.</td><td>CKSK.2.5.1</td></tr> <tr><td>MAKER</td><td>KNORR</td></tr> <tr><td>OR PART NO.</td><td>II19712004</td></tr> <tr><td>DESCRIPTION</td><td>Complete overhaul</td></tr> <tr><td>APPLICATION</td><td>SN6 SK7</td></tr> </table>	PART NO.	CKSK.2.5.1	MAKER	KNORR	OR PART NO.	II19712004	DESCRIPTION	Complete overhaul	APPLICATION	SN6 SK7		<table border="1"> <tr><td>PART NO.</td><td>CKSK.11</td></tr> <tr><td>MAKER</td><td>KNORR</td></tr> <tr><td>OR PART NO.</td><td>-</td></tr> <tr><td>DESCRIPTION</td><td>Chain</td></tr> <tr><td>APPLICATION</td><td>SB6/7 series SN6/7 series</td></tr> </table>	PART NO.	CKSK.11	MAKER	KNORR	OR PART NO.	-	DESCRIPTION	Chain	APPLICATION	SB6/7 series SN6/7 series
PART NO.	CKSK.2.5.1																						
MAKER	KNORR																						
OR PART NO.	II19712004																						
DESCRIPTION	Complete overhaul																						
APPLICATION	SN6 SK7																						
PART NO.	CKSK.11																						
MAKER	KNORR																						
OR PART NO.	-																						
DESCRIPTION	Chain																						
APPLICATION	SB6/7 series SN6/7 series																						
	<table border="1"> <tr><td>PART NO.</td><td>CKSK.16.1</td></tr> <tr><td>MAKER</td><td>KNORR</td></tr> <tr><td>OR PART NO.</td><td>K000944</td></tr> <tr><td>DESCRIPTION</td><td>Plastic cover</td></tr> <tr><td>APPLICATION</td><td>All SB... All SN...</td></tr> </table>	PART NO.	CKSK.16.1	MAKER	KNORR	OR PART NO.	K000944	DESCRIPTION	Plastic cover	APPLICATION	All SB... All SN...		<table border="1"> <tr><td>PART NO.</td><td>CKSK.16.1.R</td></tr> <tr><td>MAKER</td><td>KNORR</td></tr> <tr><td>OR PART NO.</td><td>-</td></tr> <tr><td>DESCRIPTION</td><td>New plastic cover</td></tr> <tr><td>APPLICATION</td><td>SN.7041/51 SN.7208/18</td></tr> </table>	PART NO.	CKSK.16.1.R	MAKER	KNORR	OR PART NO.	-	DESCRIPTION	New plastic cover	APPLICATION	SN.7041/51 SN.7208/18
PART NO.	CKSK.16.1																						
MAKER	KNORR																						
OR PART NO.	K000944																						
DESCRIPTION	Plastic cover																						
APPLICATION	All SB... All SN...																						
PART NO.	CKSK.16.1.R																						
MAKER	KNORR																						
OR PART NO.	-																						
DESCRIPTION	New plastic cover																						
APPLICATION	SN.7041/51 SN.7208/18																						
	<table border="1"> <tr><td>PART NO.</td><td>CKSK.2.8</td></tr> <tr><td>MAKER</td><td>KNORR</td></tr> <tr><td>OR PART NO.</td><td>Z001548</td></tr> <tr><td>DESCRIPTION</td><td>Top hexagonal nut for grooved adj mechanism</td></tr> <tr><td>APPLICATION</td><td>All SN...</td></tr> </table>	PART NO.	CKSK.2.8	MAKER	KNORR	OR PART NO.	Z001548	DESCRIPTION	Top hexagonal nut for grooved adj mechanism	APPLICATION	All SN...	<div style="text-align: right;">  </div>											
PART NO.	CKSK.2.8																						
MAKER	KNORR																						
OR PART NO.	Z001548																						
DESCRIPTION	Top hexagonal nut for grooved adj mechanism																						
APPLICATION	All SN...																						

KNORR CALIPERS

SN6000/7000 Types

TYPICAL EXPLODED VIEW OF MOST KEY MODELS ARE EXPOSED HERE, TO HELP YOU TO CHOOSE CORRECT REPAIR KITS.



KNORR CALIPERS

SN6000/7000 Types

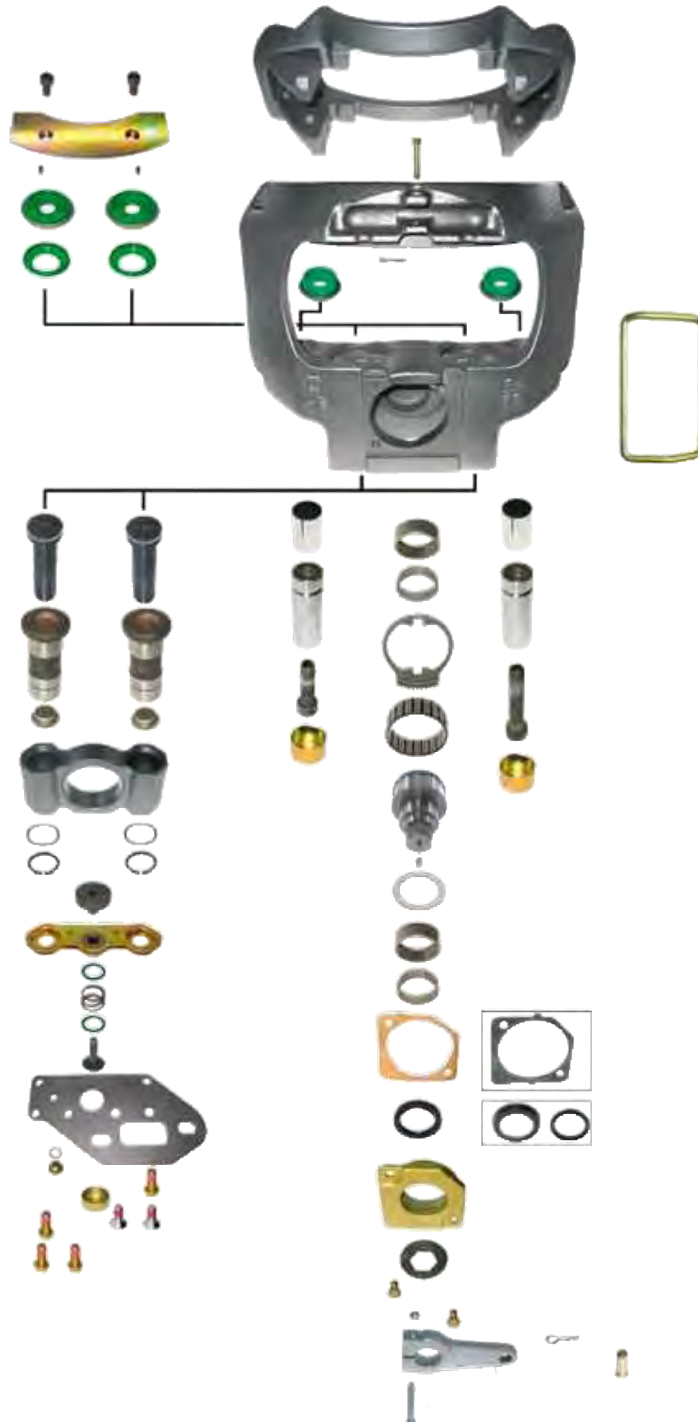
	PART NO.	CKSK.10.3		PART NO.	CKSK.10.4
	MAKER	KNORR		MAKER	KNORR
	OR PART NO.	-		OR PART NO.	-
	DESCRIPTION	Adjusting mechanism		DESCRIPTION	Adjusting mechanism
	APPLICATION	All SB... All SN...		APPLICATION	All SB...
	PART NO.	CKSK.14.1		PART NO.	CKSK.15
	MAKER	KNORR		MAKER	KNORR
	OR PART NO.	-		OR PART NO.	-
	DESCRIPTION	Roller bearing		DESCRIPTION	Lever bearing
	APPLICATION	All SN...		APPLICATION	All SB... All SN...
	PART NO.	CKSK.11.1		PART NO.	CKSK.3.3
	MAKER	KNORR		MAKER	KNORR
	OR PART NO.	-		OR PART NO.	-
	DESCRIPTION	Gear wheel adj mechanism		DESCRIPTION	Caps
	APPLICATION	All SB... All SN...		APPLICATION	All SN...
	PART NO.	CKSK.13.1		PART NO.	CKSK.13.2
	MAKER	KNORR		MAKER	KNORR
	OR PART NO.	II19712004		OR PART NO.	-
	DESCRIPTION	Guide & bush Ø 35mm		DESCRIPTION	Guide & bush Ø 39mm
	APPLICATION	SB5/6/7 SN5/6/7		APPLICATION	SB5/6/7 SN5/6/7
	PART NO.	CKSK.3.4		PART NO.	CKSK.2.7
	MAKER	KNORR		MAKER	KNORR
	OR PART NO.	-		OR PART NO.	-
	DESCRIPTION	Sealing plug		DESCRIPTION	Caps & pad retainer pins
	APPLICATION	SN5/6/7		APPLICATION	All SB... All SN...



MERITOR CALIPERS

DX.195.39/40/51/52 Types

TYPICAL EXPLODED VIEW OF MOST KEY MODELS ARE EXPOSED HERE, TO HELP YOU TO CHOOSE CORRECT REPAIR KITS.



MERITOR CALIPERS

DX.195.39/40/51/52 Types

	<table border="1"> <tr> <td>PART NO.</td> <td>MCK1& (</td> </tr> <tr> <td>MAKER</td> <td>MERITOR</td> </tr> <tr> <td>OR PART NO.</td> <td>MCK1168</td> </tr> <tr> <td>DESCRIPTION</td> <td>Shaft fittings</td> </tr> <tr> <td>APPLICATION</td> <td>DX.195.39/40 DX.195.51/52</td> </tr> </table>	PART NO.	MCK1& (MAKER	MERITOR	OR PART NO.	MCK1168	DESCRIPTION	Shaft fittings	APPLICATION	DX.195.39/40 DX.195.51/52		<table border="1"> <tr> <td>PART NO.</td> <td>MCK1171</td> </tr> <tr> <td>MAKER</td> <td>MERITOR</td> </tr> <tr> <td>OR PART NO.</td> <td>MCK1171</td> </tr> <tr> <td>DESCRIPTION</td> <td>Complete overhaul</td> </tr> <tr> <td>APPLICATION</td> <td>DX.195.39/40 DX.195.51/52</td> </tr> </table>	PART NO.	MCK1171	MAKER	MERITOR	OR PART NO.	MCK1171	DESCRIPTION	Complete overhaul	APPLICATION	DX.195.39/40 DX.195.51/52
PART NO.	MCK1& (
MAKER	MERITOR																						
OR PART NO.	MCK1168																						
DESCRIPTION	Shaft fittings																						
APPLICATION	DX.195.39/40 DX.195.51/52																						
PART NO.	MCK1171																						
MAKER	MERITOR																						
OR PART NO.	MCK1171																						
DESCRIPTION	Complete overhaul																						
APPLICATION	DX.195.39/40 DX.195.51/52																						
	<table border="1"> <tr> <td>PART NO.</td> <td>CMSK.2.D</td> </tr> <tr> <td>MAKER</td> <td>MERITOR</td> </tr> <tr> <td>OR PART NO.</td> <td>DSB3</td> </tr> <tr> <td>DESCRIPTION</td> <td>Roller bearings (complete)</td> </tr> <tr> <td>APPLICATION</td> <td>DX.195.39/40 DX.195.51/52</td> </tr> </table>	PART NO.	CMSK.2.D	MAKER	MERITOR	OR PART NO.	DSB3	DESCRIPTION	Roller bearings (complete)	APPLICATION	DX.195.39/40 DX.195.51/52		<table border="1"> <tr> <td>PART NO.</td> <td>CMSK.2.B</td> </tr> <tr> <td>MAKER</td> <td>MERITOR</td> </tr> <tr> <td>OR PART NO.</td> <td>-</td> </tr> <tr> <td>DESCRIPTION</td> <td>Roller bearings (light)</td> </tr> <tr> <td>APPLICATION</td> <td>DX.195.39/40 DX.195.51/52</td> </tr> </table>	PART NO.	CMSK.2.B	MAKER	MERITOR	OR PART NO.	-	DESCRIPTION	Roller bearings (light)	APPLICATION	DX.195.39/40 DX.195.51/52
PART NO.	CMSK.2.D																						
MAKER	MERITOR																						
OR PART NO.	DSB3																						
DESCRIPTION	Roller bearings (complete)																						
APPLICATION	DX.195.39/40 DX.195.51/52																						
PART NO.	CMSK.2.B																						
MAKER	MERITOR																						
OR PART NO.	-																						
DESCRIPTION	Roller bearings (light)																						
APPLICATION	DX.195.39/40 DX.195.51/52																						
	<table border="1"> <tr> <td>PART NO.</td> <td>MCK1192</td> </tr> <tr> <td>MAKER</td> <td>MERITOR</td> </tr> <tr> <td>OR PART NO.</td> <td>MCK1192</td> </tr> <tr> <td>DESCRIPTION</td> <td>Boots, caps & screws</td> </tr> <tr> <td>APPLICATION</td> <td>DX.195.39/40 DX.195.51/52</td> </tr> </table>	PART NO.	MCK1192	MAKER	MERITOR	OR PART NO.	MCK1192	DESCRIPTION	Boots, caps & screws	APPLICATION	DX.195.39/40 DX.195.51/52		<table border="1"> <tr> <td>PART NO.</td> <td>CMSK.2.H</td> </tr> <tr> <td>MAKER</td> <td>MERITOR</td> </tr> <tr> <td>OR PART NO.</td> <td>-</td> </tr> <tr> <td>DESCRIPTION</td> <td>Stabiliser bar</td> </tr> <tr> <td>APPLICATION</td> <td>DX.195.39/40 DX.195.51/52</td> </tr> </table>	PART NO.	CMSK.2.H	MAKER	MERITOR	OR PART NO.	-	DESCRIPTION	Stabiliser bar	APPLICATION	DX.195.39/40 DX.195.51/52
PART NO.	MCK1192																						
MAKER	MERITOR																						
OR PART NO.	MCK1192																						
DESCRIPTION	Boots, caps & screws																						
APPLICATION	DX.195.39/40 DX.195.51/52																						
PART NO.	CMSK.2.H																						
MAKER	MERITOR																						
OR PART NO.	-																						
DESCRIPTION	Stabiliser bar																						
APPLICATION	DX.195.39/40 DX.195.51/52																						
	<table border="1"> <tr> <td>PART NO.</td> <td>CMSK.2.F</td> </tr> <tr> <td>MAKER</td> <td>MERITOR</td> </tr> <tr> <td>OR PART NO.</td> <td>DSL5L</td> </tr> <tr> <td>DESCRIPTION</td> <td>Adj. mechanism (light)</td> </tr> <tr> <td>APPLICATION</td> <td>DX.195.40 DX.195.51</td> </tr> </table>	PART NO.	CMSK.2.F	MAKER	MERITOR	OR PART NO.	DSL5L	DESCRIPTION	Adj. mechanism (light)	APPLICATION	DX.195.40 DX.195.51		<table border="1"> <tr> <td>PART NO.</td> <td>CMSK.2.E</td> </tr> <tr> <td>MAKER</td> <td>MERITOR</td> </tr> <tr> <td>OR PART NO.</td> <td>DSL5R</td> </tr> <tr> <td>DESCRIPTION</td> <td>Adj. mechanism (light)</td> </tr> <tr> <td>APPLICATION</td> <td>DX.195.39 DX.195.52</td> </tr> </table>	PART NO.	CMSK.2.E	MAKER	MERITOR	OR PART NO.	DSL5R	DESCRIPTION	Adj. mechanism (light)	APPLICATION	DX.195.39 DX.195.52
PART NO.	CMSK.2.F																						
MAKER	MERITOR																						
OR PART NO.	DSL5L																						
DESCRIPTION	Adj. mechanism (light)																						
APPLICATION	DX.195.40 DX.195.51																						
PART NO.	CMSK.2.E																						
MAKER	MERITOR																						
OR PART NO.	DSL5R																						
DESCRIPTION	Adj. mechanism (light)																						
APPLICATION	DX.195.39 DX.195.52																						
	<table border="1"> <tr> <td>PART NO.</td> <td>CMSK.19</td> </tr> <tr> <td>MAKER</td> <td>MERITOR</td> </tr> <tr> <td>OR PART NO.</td> <td>DSL6R</td> </tr> <tr> <td>DESCRIPTION</td> <td>Bridge & tubes</td> </tr> <tr> <td>APPLICATION</td> <td>DX.195.39 DX.195.52</td> </tr> </table>	PART NO.	CMSK.19	MAKER	MERITOR	OR PART NO.	DSL6R	DESCRIPTION	Bridge & tubes	APPLICATION	DX.195.39 DX.195.52		<table border="1"> <tr> <td>PART NO.</td> <td>CMSK.20</td> </tr> <tr> <td>MAKER</td> <td>MERITOR</td> </tr> <tr> <td>OR PART NO.</td> <td>DSL6L</td> </tr> <tr> <td>DESCRIPTION</td> <td>Bridge & tubes</td> </tr> <tr> <td>APPLICATION</td> <td>DX.195.40 DX.195.51</td> </tr> </table>	PART NO.	CMSK.20	MAKER	MERITOR	OR PART NO.	DSL6L	DESCRIPTION	Bridge & tubes	APPLICATION	DX.195.40 DX.195.51
PART NO.	CMSK.19																						
MAKER	MERITOR																						
OR PART NO.	DSL6R																						
DESCRIPTION	Bridge & tubes																						
APPLICATION	DX.195.39 DX.195.52																						
PART NO.	CMSK.20																						
MAKER	MERITOR																						
OR PART NO.	DSL6L																						
DESCRIPTION	Bridge & tubes																						
APPLICATION	DX.195.40 DX.195.51																						

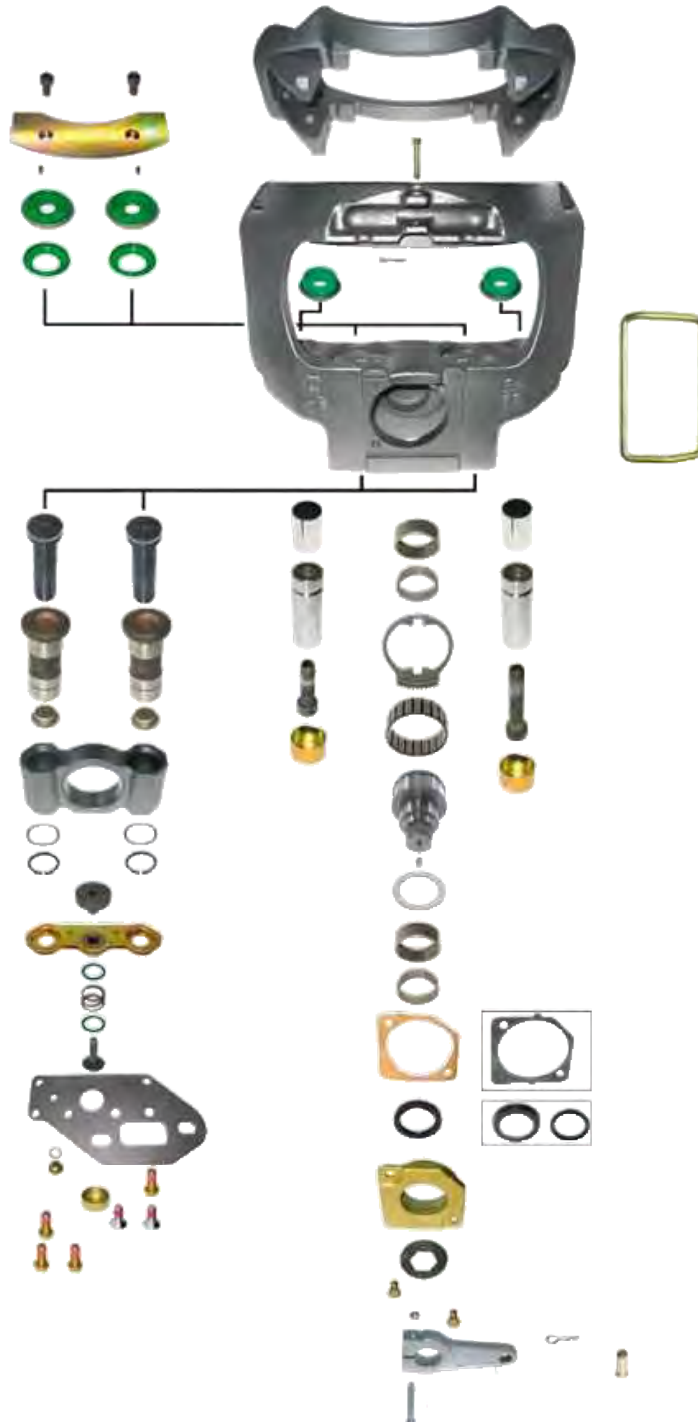
[MORE KITS NEXT PAGE](#)



MERITOR CALIPERS

DX.195.39/40/51/52 Types

TYPICAL EXPLODED VIEW OF MOST KEY MODELS ARE EXPOSED HERE, TO HELP YOU TO CHOOSE CORRECT REPAIR KITS.



MERITOR CALIPERS

DX.195.39/40/51/52 Types

	<table border="1"> <tr><td>PART NO.</td><td>CMSK.9.1</td></tr> <tr><td>MAKER</td><td>MERITOR</td></tr> <tr><td>OR PART NO.</td><td>-</td></tr> <tr><td>DESCRIPTION</td><td>Push plate (left)</td></tr> <tr><td>APPLICATION</td><td>DX.195.40 DX.195.51</td></tr> </table>	PART NO.	CMSK.9.1	MAKER	MERITOR	OR PART NO.	-	DESCRIPTION	Push plate (left)	APPLICATION	DX.195.40 DX.195.51		<table border="1"> <tr><td>PART NO.</td><td>CMSK.9.2</td></tr> <tr><td>MAKER</td><td>MERITOR</td></tr> <tr><td>OR PART NO.</td><td>-</td></tr> <tr><td>DESCRIPTION</td><td>Push plate (right)</td></tr> <tr><td>APPLICATION</td><td>DX.195.39 DX.195.52</td></tr> </table>	PART NO.	CMSK.9.2	MAKER	MERITOR	OR PART NO.	-	DESCRIPTION	Push plate (right)	APPLICATION	DX.195.39 DX.195.52
PART NO.	CMSK.9.1																						
MAKER	MERITOR																						
OR PART NO.	-																						
DESCRIPTION	Push plate (left)																						
APPLICATION	DX.195.40 DX.195.51																						
PART NO.	CMSK.9.2																						
MAKER	MERITOR																						
OR PART NO.	-																						
DESCRIPTION	Push plate (right)																						
APPLICATION	DX.195.39 DX.195.52																						
	<table border="1"> <tr><td>PART NO.</td><td>MCK1294</td></tr> <tr><td>MAKER</td><td>MERITOR</td></tr> <tr><td>OR PART NO.</td><td>MCK1294</td></tr> <tr><td>DESCRIPTION</td><td>Shaft fittings (with grease nipple)</td></tr> <tr><td>APPLICATION</td><td>DX.195.39/40 DX.195.51/52</td></tr> </table>	PART NO.	MCK1294	MAKER	MERITOR	OR PART NO.	MCK1294	DESCRIPTION	Shaft fittings (with grease nipple)	APPLICATION	DX.195.39/40 DX.195.51/52		<table border="1"> <tr><td>PART NO.</td><td>MCK1292</td></tr> <tr><td>MAKER</td><td>MERITOR</td></tr> <tr><td>OR PART NO.</td><td>MCK1292</td></tr> <tr><td>DESCRIPTION</td><td>Adjuster sleeve & thrust plate</td></tr> <tr><td>APPLICATION</td><td>DX.195.40 DX.195.51</td></tr> </table>	PART NO.	MCK1292	MAKER	MERITOR	OR PART NO.	MCK1292	DESCRIPTION	Adjuster sleeve & thrust plate	APPLICATION	DX.195.40 DX.195.51
PART NO.	MCK1294																						
MAKER	MERITOR																						
OR PART NO.	MCK1294																						
DESCRIPTION	Shaft fittings (with grease nipple)																						
APPLICATION	DX.195.39/40 DX.195.51/52																						
PART NO.	MCK1292																						
MAKER	MERITOR																						
OR PART NO.	MCK1292																						
DESCRIPTION	Adjuster sleeve & thrust plate																						
APPLICATION	DX.195.40 DX.195.51																						
	<table border="1"> <tr><td>PART NO.</td><td>CMSK.19.1</td></tr> <tr><td>MAKER</td><td>MERITOR</td></tr> <tr><td>OR PART NO.</td><td>-</td></tr> <tr><td>DESCRIPTION</td><td>Bridge & inner bearing</td></tr> <tr><td>APPLICATION</td><td>DX.195.39/40 DX.195.51/52</td></tr> </table>	PART NO.	CMSK.19.1	MAKER	MERITOR	OR PART NO.	-	DESCRIPTION	Bridge & inner bearing	APPLICATION	DX.195.39/40 DX.195.51/52		<table border="1"> <tr><td>PART NO.</td><td>MCK1293</td></tr> <tr><td>MAKER</td><td>MERITOR</td></tr> <tr><td>OR PART NO.</td><td>MCK1293</td></tr> <tr><td>DESCRIPTION</td><td>Adjuster sleeve & thrust plate</td></tr> <tr><td>APPLICATION</td><td>DX.195.39 DX.195.52</td></tr> </table>	PART NO.	MCK1293	MAKER	MERITOR	OR PART NO.	MCK1293	DESCRIPTION	Adjuster sleeve & thrust plate	APPLICATION	DX.195.39 DX.195.52
PART NO.	CMSK.19.1																						
MAKER	MERITOR																						
OR PART NO.	-																						
DESCRIPTION	Bridge & inner bearing																						
APPLICATION	DX.195.39/40 DX.195.51/52																						
PART NO.	MCK1293																						
MAKER	MERITOR																						
OR PART NO.	MCK1293																						
DESCRIPTION	Adjuster sleeve & thrust plate																						
APPLICATION	DX.195.39 DX.195.52																						
	<table border="1"> <tr><td>PART NO.</td><td>CMSK.19.2</td></tr> <tr><td>MAKER</td><td>MERITOR</td></tr> <tr><td>OR PART NO.</td><td>-</td></tr> <tr><td>DESCRIPTION</td><td>Pistons & pinions</td></tr> <tr><td>APPLICATION</td><td>DX.195.39 DX.195.52</td></tr> </table>	PART NO.	CMSK.19.2	MAKER	MERITOR	OR PART NO.	-	DESCRIPTION	Pistons & pinions	APPLICATION	DX.195.39 DX.195.52		<table border="1"> <tr><td>PART NO.</td><td>CMSK.20.2</td></tr> <tr><td>MAKER</td><td>MERITOR</td></tr> <tr><td>OR PART NO.</td><td>-</td></tr> <tr><td>DESCRIPTION</td><td>Pistons & pinions</td></tr> <tr><td>APPLICATION</td><td>DX.195.40 DX.195.51</td></tr> </table>	PART NO.	CMSK.20.2	MAKER	MERITOR	OR PART NO.	-	DESCRIPTION	Pistons & pinions	APPLICATION	DX.195.40 DX.195.51
PART NO.	CMSK.19.2																						
MAKER	MERITOR																						
OR PART NO.	-																						
DESCRIPTION	Pistons & pinions																						
APPLICATION	DX.195.39 DX.195.52																						
PART NO.	CMSK.20.2																						
MAKER	MERITOR																						
OR PART NO.	-																						
DESCRIPTION	Pistons & pinions																						
APPLICATION	DX.195.40 DX.195.51																						
	<table border="1"> <tr><td>PART NO.</td><td>CMSK.19.3</td></tr> <tr><td>MAKER</td><td>MERITOR</td></tr> <tr><td>OR PART NO.</td><td>-</td></tr> <tr><td>DESCRIPTION</td><td>Central fork & pinion</td></tr> <tr><td>APPLICATION</td><td>DX.195.39/40 DX.195.51/52</td></tr> </table>	PART NO.	CMSK.19.3	MAKER	MERITOR	OR PART NO.	-	DESCRIPTION	Central fork & pinion	APPLICATION	DX.195.39/40 DX.195.51/52		<table border="1"> <tr><td>PART NO.</td><td>MCK1154</td></tr> <tr><td>MAKER</td><td>MERITOR</td></tr> <tr><td>OR PART NO.</td><td>MCK1154</td></tr> <tr><td>DESCRIPTION</td><td>Stabiliser bar kit</td></tr> <tr><td>APPLICATION</td><td>DX.195.39/40 DX.195.51/52</td></tr> </table>	PART NO.	MCK1154	MAKER	MERITOR	OR PART NO.	MCK1154	DESCRIPTION	Stabiliser bar kit	APPLICATION	DX.195.39/40 DX.195.51/52
PART NO.	CMSK.19.3																						
MAKER	MERITOR																						
OR PART NO.	-																						
DESCRIPTION	Central fork & pinion																						
APPLICATION	DX.195.39/40 DX.195.51/52																						
PART NO.	MCK1154																						
MAKER	MERITOR																						
OR PART NO.	MCK1154																						
DESCRIPTION	Stabiliser bar kit																						
APPLICATION	DX.195.39/40 DX.195.51/52																						

MORE KITS NEXT PAGE

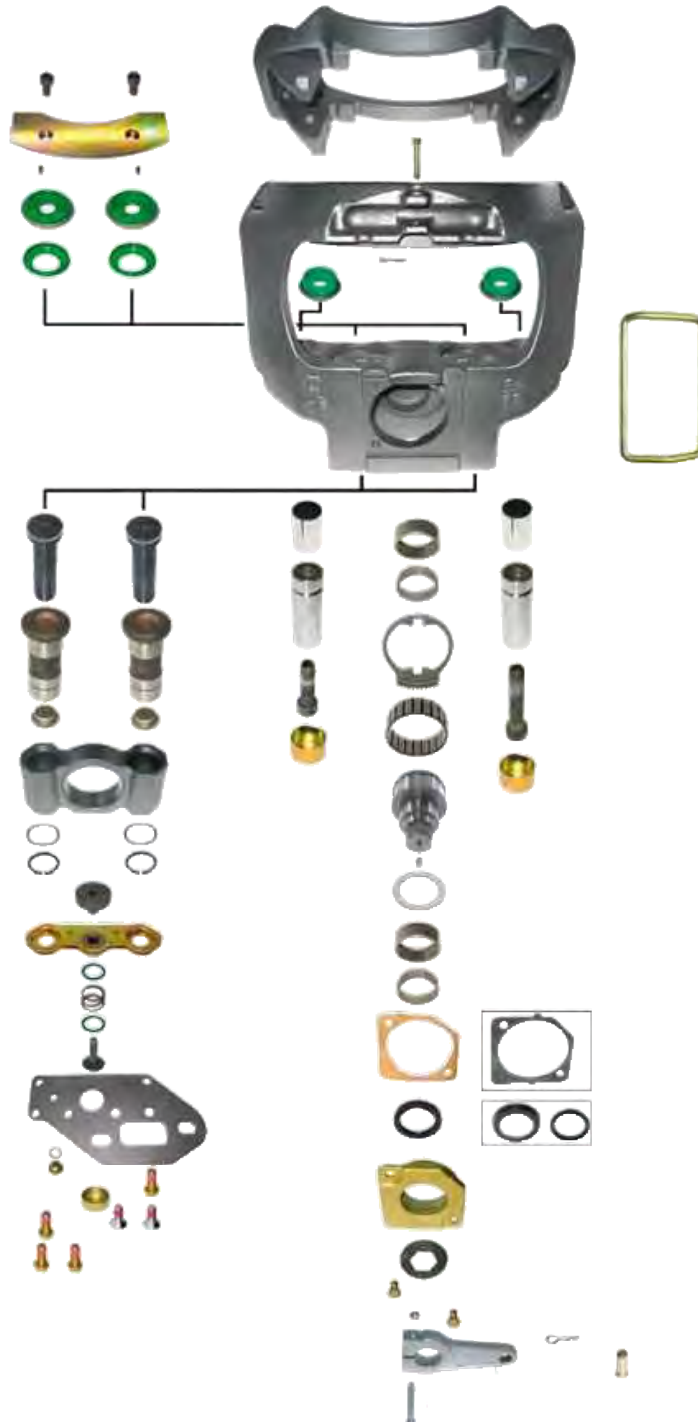
 **MERITOR**

 **EUCLID**

MERITOR CALIPERS



DX.195.39/40/51/52 Types

TYPICAL EXPLODED VIEW OF MOST KEY MODELS ARE EXPOSED HERE, TO HELP YOU TO CHOOSE CORRECT REPAIR KITS.



MERITOR CALIPERS

DX.195.39/40/51/52 Types

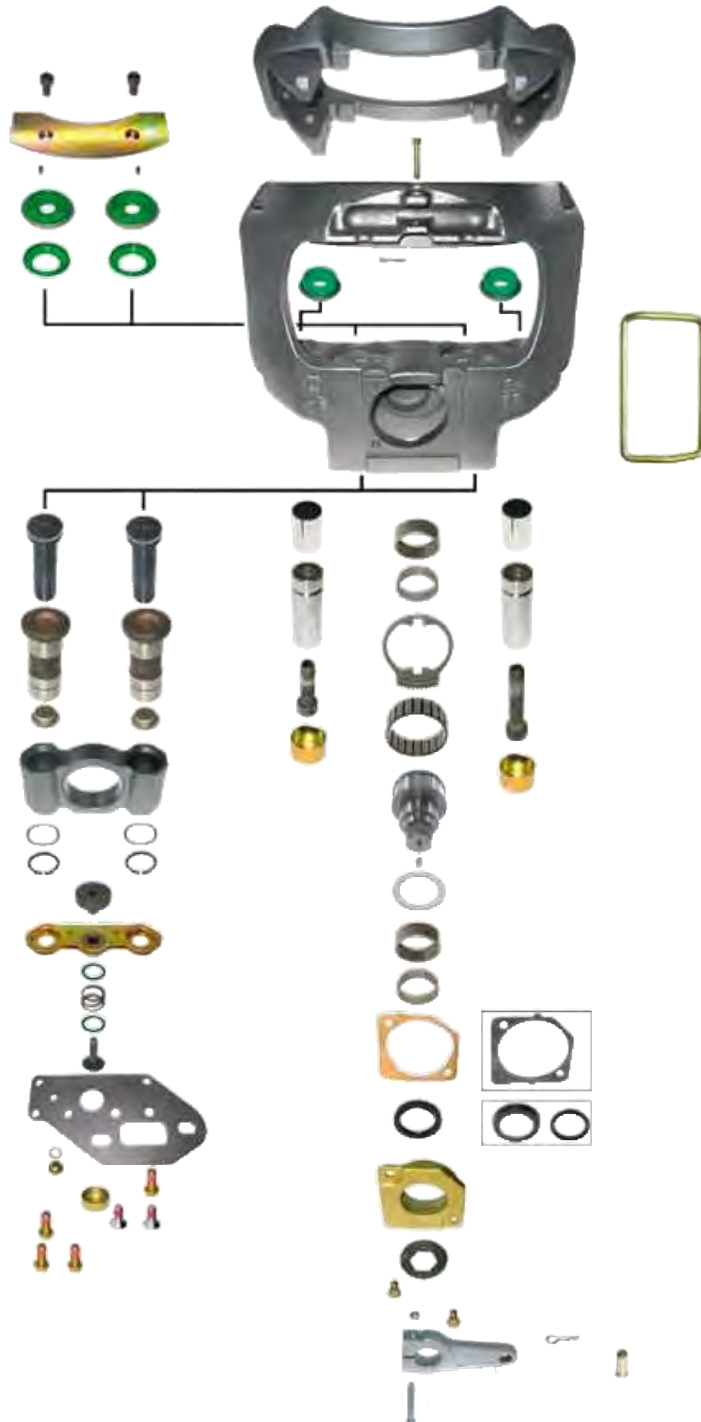
	<table border="1"> <tr><td>PART NO.</td><td>CMSK.2.GR</td></tr> <tr><td>MAKER</td><td>MERITOR</td></tr> <tr><td>OR PART NO.</td><td>-</td></tr> <tr><td>DESCRIPTION</td><td>Shaft (with grease nipple)</td></tr> <tr><td>APPLICATION</td><td>DX.195.39/40 DX.195.51/52</td></tr> </table>	PART NO.	CMSK.2.GR	MAKER	MERITOR	OR PART NO.	-	DESCRIPTION	Shaft (with grease nipple)	APPLICATION	DX.195.39/40 DX.195.51/52		<table border="1"> <tr><td>PART NO.</td><td>MCK1290</td></tr> <tr><td>MAKER</td><td>MERITOR</td></tr> <tr><td>OR PART NO.</td><td>MCK1290</td></tr> <tr><td>DESCRIPTION</td><td>Adjusting mechanism (full)</td></tr> <tr><td>APPLICATION</td><td>DX.195.40 DX.195.51</td></tr> </table>	PART NO.	MCK1290	MAKER	MERITOR	OR PART NO.	MCK1290	DESCRIPTION	Adjusting mechanism (full)	APPLICATION	DX.195.40 DX.195.51
PART NO.	CMSK.2.GR																						
MAKER	MERITOR																						
OR PART NO.	-																						
DESCRIPTION	Shaft (with grease nipple)																						
APPLICATION	DX.195.39/40 DX.195.51/52																						
PART NO.	MCK1290																						
MAKER	MERITOR																						
OR PART NO.	MCK1290																						
DESCRIPTION	Adjusting mechanism (full)																						
APPLICATION	DX.195.40 DX.195.51																						
	<table border="1"> <tr><td>PART NO.</td><td>CMSK.2.J</td></tr> <tr><td>MAKER</td><td>MERITOR</td></tr> <tr><td>OR PART NO.</td><td>-</td></tr> <tr><td>DESCRIPTION</td><td>Bracket seal & pin</td></tr> <tr><td>APPLICATION</td><td>DX.195.39/40 DX.195.51/52</td></tr> </table>	PART NO.	CMSK.2.J	MAKER	MERITOR	OR PART NO.	-	DESCRIPTION	Bracket seal & pin	APPLICATION	DX.195.39/40 DX.195.51/52		<table border="1"> <tr><td>PART NO.</td><td>MCK1291</td></tr> <tr><td>MAKER</td><td>MERITOR</td></tr> <tr><td>OR PART NO.</td><td>MCK1291</td></tr> <tr><td>DESCRIPTION</td><td>Adjusting mechanism (full)</td></tr> <tr><td>APPLICATION</td><td>DX.195.39 DX.195.52</td></tr> </table>	PART NO.	MCK1291	MAKER	MERITOR	OR PART NO.	MCK1291	DESCRIPTION	Adjusting mechanism (full)	APPLICATION	DX.195.39 DX.195.52
PART NO.	CMSK.2.J																						
MAKER	MERITOR																						
OR PART NO.	-																						
DESCRIPTION	Bracket seal & pin																						
APPLICATION	DX.195.39/40 DX.195.51/52																						
PART NO.	MCK1291																						
MAKER	MERITOR																						
OR PART NO.	MCK1291																						
DESCRIPTION	Adjusting mechanism (full)																						
APPLICATION	DX.195.39 DX.195.52																						
	<table border="1"> <tr><td>PART NO.</td><td>MDPDX195</td></tr> <tr><td>MAKER</td><td>MERITOR</td></tr> <tr><td>OR PART NO.</td><td>MDPDX195</td></tr> <tr><td>DESCRIPTION</td><td>Pad kit</td></tr> <tr><td>APPLICATION</td><td>DX.195.39/40</td></tr> </table>	PART NO.	MDPDX195	MAKER	MERITOR	OR PART NO.	MDPDX195	DESCRIPTION	Pad kit	APPLICATION	DX.195.39/40		<table border="1"> <tr><td>PART NO.</td><td>MDP5076</td></tr> <tr><td>MAKER</td><td>MERITOR</td></tr> <tr><td>OR PART NO.</td><td>MDP5076</td></tr> <tr><td>DESCRIPTION</td><td>Pad kit</td></tr> <tr><td>APPLICATION</td><td>DX.195.51/52</td></tr> </table>	PART NO.	MDP5076	MAKER	MERITOR	OR PART NO.	MDP5076	DESCRIPTION	Pad kit	APPLICATION	DX.195.51/52
PART NO.	MDPDX195																						
MAKER	MERITOR																						
OR PART NO.	MDPDX195																						
DESCRIPTION	Pad kit																						
APPLICATION	DX.195.39/40																						
PART NO.	MDP5076																						
MAKER	MERITOR																						
OR PART NO.	MDP5076																						
DESCRIPTION	Pad kit																						
APPLICATION	DX.195.51/52																						
	<table border="1"> <tr><td>PART NO.</td><td>3218N1366</td></tr> <tr><td>MAKER</td><td>MERITOR</td></tr> <tr><td>OR PART NO.</td><td>3218N1366</td></tr> <tr><td>DESCRIPTION</td><td>Rotor (Mack/Kenworth)</td></tr> <tr><td>APPLICATION</td><td>DX.195.39/40</td></tr> </table>	PART NO.	3218N1366	MAKER	MERITOR	OR PART NO.	3218N1366	DESCRIPTION	Rotor (Mack/Kenworth)	APPLICATION	DX.195.39/40		<table border="1"> <tr><td>PART NO.</td><td>MBR5079</td></tr> <tr><td>MAKER</td><td>MERITOR</td></tr> <tr><td>OR PART NO.</td><td>MBR5079</td></tr> <tr><td>DESCRIPTION</td><td>Rotor ROR - TM</td></tr> <tr><td>APPLICATION</td><td>DX.195.51/52</td></tr> </table>	PART NO.	MBR5079	MAKER	MERITOR	OR PART NO.	MBR5079	DESCRIPTION	Rotor ROR - TM	APPLICATION	DX.195.51/52
PART NO.	3218N1366																						
MAKER	MERITOR																						
OR PART NO.	3218N1366																						
DESCRIPTION	Rotor (Mack/Kenworth)																						
APPLICATION	DX.195.39/40																						
PART NO.	MBR5079																						
MAKER	MERITOR																						
OR PART NO.	MBR5079																						
DESCRIPTION	Rotor ROR - TM																						
APPLICATION	DX.195.51/52																						
	<table border="1"> <tr><td>PART NO.</td><td>MBR9018</td></tr> <tr><td>MAKER</td><td>MERITOR</td></tr> <tr><td>OR PART NO.</td><td>MBR9018</td></tr> <tr><td>DESCRIPTION</td><td>Rotor ROR - LM & LC</td></tr> <tr><td>APPLICATION</td><td>DX.195.51/52</td></tr> </table>	PART NO.	MBR9018	MAKER	MERITOR	OR PART NO.	MBR9018	DESCRIPTION	Rotor ROR - LM & LC	APPLICATION	DX.195.51/52												
PART NO.	MBR9018																						
MAKER	MERITOR																						
OR PART NO.	MBR9018																						
DESCRIPTION	Rotor ROR - LM & LC																						
APPLICATION	DX.195.51/52																						



MERITOR CALIPERS

DX.225.21.1001K/1002K/1013K/1014K Types

TYPICAL EXPLODED VIEW OF MOST KEY MODELS ARE EXPOSED HERE, TO HELP YOU TO CHOOSE CORRECT REPAIR KITS.



MERITOR CALIPERS

DX.225.21.1001K/1002K/1013K/1014K Types

	<table border="1"> <tr> <td>PART NO.</td> <td>MCK1& (</td> </tr> <tr> <td>MAKER</td> <td>MERITOR</td> </tr> <tr> <td>OR PART NO.</td> <td>MCK1168</td> </tr> <tr> <td>DESCRIPTION</td> <td>Shaft fittings</td> </tr> <tr> <td>APPLICATION</td> <td>DX.225.21. 1001K/1002K 1013K/1014K</td> </tr> </table>	PART NO.	MCK1& (MAKER	MERITOR	OR PART NO.	MCK1168	DESCRIPTION	Shaft fittings	APPLICATION	DX.225.21. 1001K/1002K 1013K/1014K		<table border="1"> <tr> <td>PART NO.</td> <td>MCK1171</td> </tr> <tr> <td>MAKER</td> <td>MERITOR</td> </tr> <tr> <td>OR PART NO.</td> <td>MCK1171</td> </tr> <tr> <td>DESCRIPTION</td> <td>Complete overhaul</td> </tr> <tr> <td>APPLICATION</td> <td>DX.225.21. 1001K/1002K 1013K/1014K</td> </tr> </table>	PART NO.	MCK1171	MAKER	MERITOR	OR PART NO.	MCK1171	DESCRIPTION	Complete overhaul	APPLICATION	DX.225.21. 1001K/1002K 1013K/1014K
PART NO.	MCK1& (
MAKER	MERITOR																						
OR PART NO.	MCK1168																						
DESCRIPTION	Shaft fittings																						
APPLICATION	DX.225.21. 1001K/1002K 1013K/1014K																						
PART NO.	MCK1171																						
MAKER	MERITOR																						
OR PART NO.	MCK1171																						
DESCRIPTION	Complete overhaul																						
APPLICATION	DX.225.21. 1001K/1002K 1013K/1014K																						
	<table border="1"> <tr> <td>PART NO.</td> <td>CMSK.2.D</td> </tr> <tr> <td>MAKER</td> <td>MERITOR</td> </tr> <tr> <td>OR PART NO.</td> <td>DSB3</td> </tr> <tr> <td>DESCRIPTION</td> <td>Roller bearings (complete)</td> </tr> <tr> <td>APPLICATION</td> <td>DX.225.21. 1001K/1002K 1013K/1014K</td> </tr> </table>	PART NO.	CMSK.2.D	MAKER	MERITOR	OR PART NO.	DSB3	DESCRIPTION	Roller bearings (complete)	APPLICATION	DX.225.21. 1001K/1002K 1013K/1014K		<table border="1"> <tr> <td>PART NO.</td> <td>CMSK.2.B</td> </tr> <tr> <td>MAKER</td> <td>MERITOR</td> </tr> <tr> <td>OR PART NO.</td> <td>-</td> </tr> <tr> <td>DESCRIPTION</td> <td>Roller bearings (light)</td> </tr> <tr> <td>APPLICATION</td> <td>DX.225.21. 1001K/1002K 1013K/1014K</td> </tr> </table>	PART NO.	CMSK.2.B	MAKER	MERITOR	OR PART NO.	-	DESCRIPTION	Roller bearings (light)	APPLICATION	DX.225.21. 1001K/1002K 1013K/1014K
PART NO.	CMSK.2.D																						
MAKER	MERITOR																						
OR PART NO.	DSB3																						
DESCRIPTION	Roller bearings (complete)																						
APPLICATION	DX.225.21. 1001K/1002K 1013K/1014K																						
PART NO.	CMSK.2.B																						
MAKER	MERITOR																						
OR PART NO.	-																						
DESCRIPTION	Roller bearings (light)																						
APPLICATION	DX.225.21. 1001K/1002K 1013K/1014K																						
	<table border="1"> <tr> <td>PART NO.</td> <td>MCK1192</td> </tr> <tr> <td>MAKER</td> <td>MERITOR</td> </tr> <tr> <td>OR PART NO.</td> <td>MCK1192</td> </tr> <tr> <td>DESCRIPTION</td> <td>Boots, caps & screws</td> </tr> <tr> <td>APPLICATION</td> <td>DX.225.21. 1001K/1002K 1013K/1014K</td> </tr> </table>	PART NO.	MCK1192	MAKER	MERITOR	OR PART NO.	MCK1192	DESCRIPTION	Boots, caps & screws	APPLICATION	DX.225.21. 1001K/1002K 1013K/1014K		<table border="1"> <tr> <td>PART NO.</td> <td>CMSK.2.H</td> </tr> <tr> <td>MAKER</td> <td>MERITOR</td> </tr> <tr> <td>OR PART NO.</td> <td>-</td> </tr> <tr> <td>DESCRIPTION</td> <td>Stabiliser bar</td> </tr> <tr> <td>APPLICATION</td> <td>DX.225.21. 1001K/1002K 1013K/1014K</td> </tr> </table>	PART NO.	CMSK.2.H	MAKER	MERITOR	OR PART NO.	-	DESCRIPTION	Stabiliser bar	APPLICATION	DX.225.21. 1001K/1002K 1013K/1014K
PART NO.	MCK1192																						
MAKER	MERITOR																						
OR PART NO.	MCK1192																						
DESCRIPTION	Boots, caps & screws																						
APPLICATION	DX.225.21. 1001K/1002K 1013K/1014K																						
PART NO.	CMSK.2.H																						
MAKER	MERITOR																						
OR PART NO.	-																						
DESCRIPTION	Stabiliser bar																						
APPLICATION	DX.225.21. 1001K/1002K 1013K/1014K																						
	<table border="1"> <tr> <td>PART NO.</td> <td>CMSK.2.F</td> </tr> <tr> <td>MAKER</td> <td>MERITOR</td> </tr> <tr> <td>OR PART NO.</td> <td>DSL5L</td> </tr> <tr> <td>DESCRIPTION</td> <td>Adj. mechanism (light)</td> </tr> <tr> <td>APPLICATION</td> <td>DX.225.21. 1001K/1013K</td> </tr> </table>	PART NO.	CMSK.2.F	MAKER	MERITOR	OR PART NO.	DSL5L	DESCRIPTION	Adj. mechanism (light)	APPLICATION	DX.225.21. 1001K/1013K		<table border="1"> <tr> <td>PART NO.</td> <td>CMSK.2.E</td> </tr> <tr> <td>MAKER</td> <td>MERITOR</td> </tr> <tr> <td>OR PART NO.</td> <td>DSL5R</td> </tr> <tr> <td>DESCRIPTION</td> <td>Adj. mechanism (light)</td> </tr> <tr> <td>APPLICATION</td> <td>DX.225.21. 1002K/1014K</td> </tr> </table>	PART NO.	CMSK.2.E	MAKER	MERITOR	OR PART NO.	DSL5R	DESCRIPTION	Adj. mechanism (light)	APPLICATION	DX.225.21. 1002K/1014K
PART NO.	CMSK.2.F																						
MAKER	MERITOR																						
OR PART NO.	DSL5L																						
DESCRIPTION	Adj. mechanism (light)																						
APPLICATION	DX.225.21. 1001K/1013K																						
PART NO.	CMSK.2.E																						
MAKER	MERITOR																						
OR PART NO.	DSL5R																						
DESCRIPTION	Adj. mechanism (light)																						
APPLICATION	DX.225.21. 1002K/1014K																						
	<table border="1"> <tr> <td>PART NO.</td> <td>CMSK.19</td> </tr> <tr> <td>MAKER</td> <td>MERITOR</td> </tr> <tr> <td>OR PART NO.</td> <td>DSL6R</td> </tr> <tr> <td>DESCRIPTION</td> <td>Bridge & tubes</td> </tr> <tr> <td>APPLICATION</td> <td>DX.225.21. 1002K/1014K</td> </tr> </table>	PART NO.	CMSK.19	MAKER	MERITOR	OR PART NO.	DSL6R	DESCRIPTION	Bridge & tubes	APPLICATION	DX.225.21. 1002K/1014K		<table border="1"> <tr> <td>PART NO.</td> <td>CMSK.20</td> </tr> <tr> <td>MAKER</td> <td>MERITOR</td> </tr> <tr> <td>OR PART NO.</td> <td>DSL6L</td> </tr> <tr> <td>DESCRIPTION</td> <td>Bridge & tubes</td> </tr> <tr> <td>APPLICATION</td> <td>DX.225.21. 1001K/1013K</td> </tr> </table>	PART NO.	CMSK.20	MAKER	MERITOR	OR PART NO.	DSL6L	DESCRIPTION	Bridge & tubes	APPLICATION	DX.225.21. 1001K/1013K
PART NO.	CMSK.19																						
MAKER	MERITOR																						
OR PART NO.	DSL6R																						
DESCRIPTION	Bridge & tubes																						
APPLICATION	DX.225.21. 1002K/1014K																						
PART NO.	CMSK.20																						
MAKER	MERITOR																						
OR PART NO.	DSL6L																						
DESCRIPTION	Bridge & tubes																						
APPLICATION	DX.225.21. 1001K/1013K																						

[MORE KITS NEXT PAGE](#)

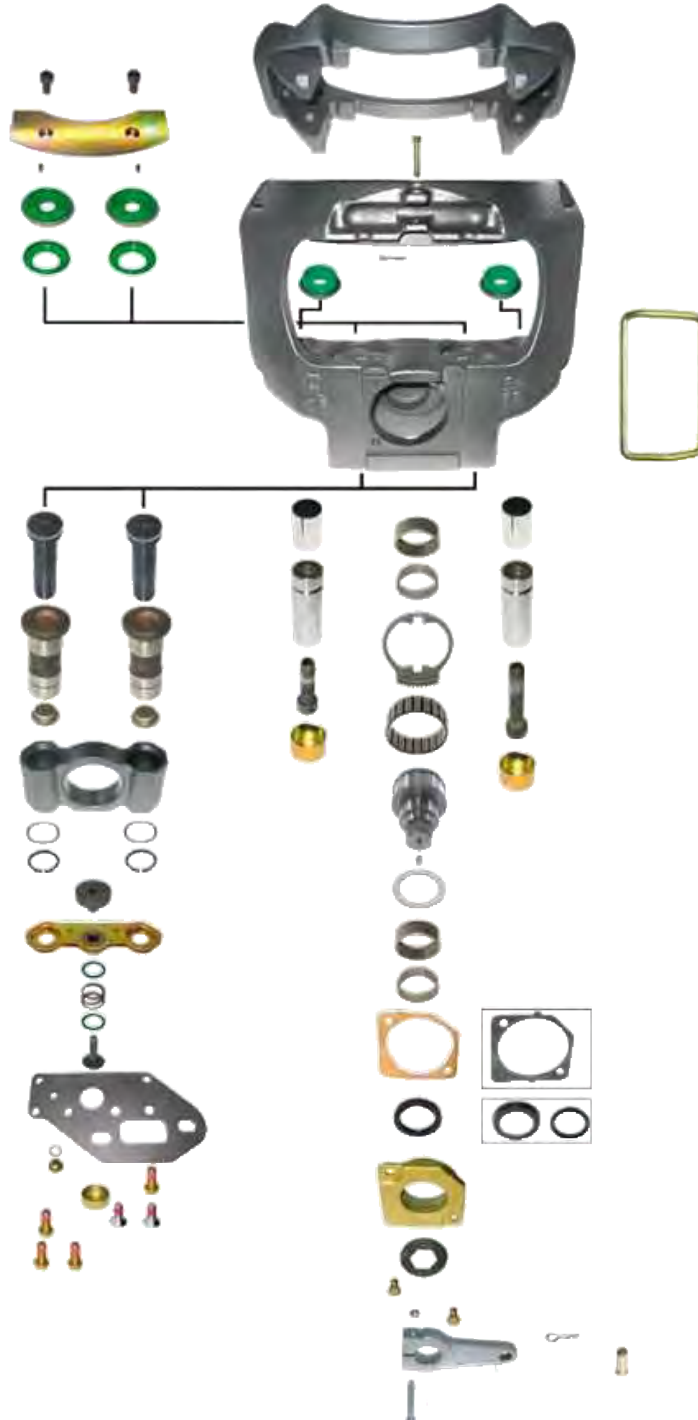
 **MERITOR**

 **EUCLID**

MERITOR CALIPERS

DX.225.21.1001K/1002K/1013K/1014K Types

TYPICAL EXPLODED VIEW OF MOST KEY MODELS ARE EXPOSED HERE, TO HELP YOU TO CHOOSE CORRECT REPAIR KITS.



MERITOR CALIPERS

DX.225.21.1001K/1002K/1013K/1014K Types

	<table border="1"> <tr><td>PART NO.</td><td>CMSK.9.1</td></tr> <tr><td>MAKER</td><td>MERITOR</td></tr> <tr><td>OR PART NO.</td><td>-</td></tr> <tr><td>DESCRIPTION</td><td>Push plate (left)</td></tr> <tr><td>APPLICATION</td><td>DX.225.21.1001K/1013K</td></tr> </table>	PART NO.	CMSK.9.1	MAKER	MERITOR	OR PART NO.	-	DESCRIPTION	Push plate (left)	APPLICATION	DX.225.21.1001K/1013K		<table border="1"> <tr><td>PART NO.</td><td>CMSK.9.2</td></tr> <tr><td>MAKER</td><td>MERITOR</td></tr> <tr><td>OR PART NO.</td><td>-</td></tr> <tr><td>DESCRIPTION</td><td>Push plate (right)</td></tr> <tr><td>APPLICATION</td><td>DX.225.21.1002K/1014K</td></tr> </table>	PART NO.	CMSK.9.2	MAKER	MERITOR	OR PART NO.	-	DESCRIPTION	Push plate (right)	APPLICATION	DX.225.21.1002K/1014K
PART NO.	CMSK.9.1																						
MAKER	MERITOR																						
OR PART NO.	-																						
DESCRIPTION	Push plate (left)																						
APPLICATION	DX.225.21.1001K/1013K																						
PART NO.	CMSK.9.2																						
MAKER	MERITOR																						
OR PART NO.	-																						
DESCRIPTION	Push plate (right)																						
APPLICATION	DX.225.21.1002K/1014K																						
	<table border="1"> <tr><td>PART NO.</td><td>MCK1294</td></tr> <tr><td>MAKER</td><td>MERITOR</td></tr> <tr><td>OR PART NO.</td><td>MCK1294</td></tr> <tr><td>DESCRIPTION</td><td>Shaft fittings (with grease nipple)</td></tr> <tr><td>APPLICATION</td><td>DX.225.21.1001K/1002K/1013K/1014K</td></tr> </table>	PART NO.	MCK1294	MAKER	MERITOR	OR PART NO.	MCK1294	DESCRIPTION	Shaft fittings (with grease nipple)	APPLICATION	DX.225.21.1001K/1002K/1013K/1014K		<table border="1"> <tr><td>PART NO.</td><td>MCK1292</td></tr> <tr><td>MAKER</td><td>MERITOR</td></tr> <tr><td>OR PART NO.</td><td>MCK1292</td></tr> <tr><td>DESCRIPTION</td><td>Adjuster sleeve & thrust plate</td></tr> <tr><td>APPLICATION</td><td>DX.225.21.1001K/1013K</td></tr> </table>	PART NO.	MCK1292	MAKER	MERITOR	OR PART NO.	MCK1292	DESCRIPTION	Adjuster sleeve & thrust plate	APPLICATION	DX.225.21.1001K/1013K
PART NO.	MCK1294																						
MAKER	MERITOR																						
OR PART NO.	MCK1294																						
DESCRIPTION	Shaft fittings (with grease nipple)																						
APPLICATION	DX.225.21.1001K/1002K/1013K/1014K																						
PART NO.	MCK1292																						
MAKER	MERITOR																						
OR PART NO.	MCK1292																						
DESCRIPTION	Adjuster sleeve & thrust plate																						
APPLICATION	DX.225.21.1001K/1013K																						
	<table border="1"> <tr><td>PART NO.</td><td>CMSK.19.1</td></tr> <tr><td>MAKER</td><td>MERITOR</td></tr> <tr><td>OR PART NO.</td><td>-</td></tr> <tr><td>DESCRIPTION</td><td>Bridge & inner bearing</td></tr> <tr><td>APPLICATION</td><td>DX.225.21.1001K/1002K/1013K/1014K</td></tr> </table>	PART NO.	CMSK.19.1	MAKER	MERITOR	OR PART NO.	-	DESCRIPTION	Bridge & inner bearing	APPLICATION	DX.225.21.1001K/1002K/1013K/1014K		<table border="1"> <tr><td>PART NO.</td><td>MCK1293</td></tr> <tr><td>MAKER</td><td>MERITOR</td></tr> <tr><td>OR PART NO.</td><td>MCK1293</td></tr> <tr><td>DESCRIPTION</td><td>Adjuster sleeve & thrust plate</td></tr> <tr><td>APPLICATION</td><td>DX.225.21.1002K/1014K</td></tr> </table>	PART NO.	MCK1293	MAKER	MERITOR	OR PART NO.	MCK1293	DESCRIPTION	Adjuster sleeve & thrust plate	APPLICATION	DX.225.21.1002K/1014K
PART NO.	CMSK.19.1																						
MAKER	MERITOR																						
OR PART NO.	-																						
DESCRIPTION	Bridge & inner bearing																						
APPLICATION	DX.225.21.1001K/1002K/1013K/1014K																						
PART NO.	MCK1293																						
MAKER	MERITOR																						
OR PART NO.	MCK1293																						
DESCRIPTION	Adjuster sleeve & thrust plate																						
APPLICATION	DX.225.21.1002K/1014K																						
	<table border="1"> <tr><td>PART NO.</td><td>CMSK.19.2</td></tr> <tr><td>MAKER</td><td>MERITOR</td></tr> <tr><td>OR PART NO.</td><td>-</td></tr> <tr><td>DESCRIPTION</td><td>Pistons & pinions</td></tr> <tr><td>APPLICATION</td><td>DX.225.21.1002K/1014K</td></tr> </table>	PART NO.	CMSK.19.2	MAKER	MERITOR	OR PART NO.	-	DESCRIPTION	Pistons & pinions	APPLICATION	DX.225.21.1002K/1014K		<table border="1"> <tr><td>PART NO.</td><td>CMSK.20.2</td></tr> <tr><td>MAKER</td><td>MERITOR</td></tr> <tr><td>OR PART NO.</td><td>-</td></tr> <tr><td>DESCRIPTION</td><td>Pistons & pinions</td></tr> <tr><td>APPLICATION</td><td>DX.225.21.1001K/1013K</td></tr> </table>	PART NO.	CMSK.20.2	MAKER	MERITOR	OR PART NO.	-	DESCRIPTION	Pistons & pinions	APPLICATION	DX.225.21.1001K/1013K
PART NO.	CMSK.19.2																						
MAKER	MERITOR																						
OR PART NO.	-																						
DESCRIPTION	Pistons & pinions																						
APPLICATION	DX.225.21.1002K/1014K																						
PART NO.	CMSK.20.2																						
MAKER	MERITOR																						
OR PART NO.	-																						
DESCRIPTION	Pistons & pinions																						
APPLICATION	DX.225.21.1001K/1013K																						
	<table border="1"> <tr><td>PART NO.</td><td>CMSK.19.3</td></tr> <tr><td>MAKER</td><td>MERITOR</td></tr> <tr><td>OR PART NO.</td><td>-</td></tr> <tr><td>DESCRIPTION</td><td>Central fork & pinion</td></tr> <tr><td>APPLICATION</td><td>DX.225.21.1001K/1002K/1013K/1014K</td></tr> </table>	PART NO.	CMSK.19.3	MAKER	MERITOR	OR PART NO.	-	DESCRIPTION	Central fork & pinion	APPLICATION	DX.225.21.1001K/1002K/1013K/1014K		<table border="1"> <tr><td>PART NO.</td><td>MCK1159</td></tr> <tr><td>MAKER</td><td>MERITOR</td></tr> <tr><td>OR PART NO.</td><td>MCK1159</td></tr> <tr><td>DESCRIPTION</td><td>Stabiliser bar kit</td></tr> <tr><td>APPLICATION</td><td>DX.225.21.1001K/1002K/1013K/1014K</td></tr> </table>	PART NO.	MCK1159	MAKER	MERITOR	OR PART NO.	MCK1159	DESCRIPTION	Stabiliser bar kit	APPLICATION	DX.225.21.1001K/1002K/1013K/1014K
PART NO.	CMSK.19.3																						
MAKER	MERITOR																						
OR PART NO.	-																						
DESCRIPTION	Central fork & pinion																						
APPLICATION	DX.225.21.1001K/1002K/1013K/1014K																						
PART NO.	MCK1159																						
MAKER	MERITOR																						
OR PART NO.	MCK1159																						
DESCRIPTION	Stabiliser bar kit																						
APPLICATION	DX.225.21.1001K/1002K/1013K/1014K																						

MORE KITS NEXT PAGE



MERITOR CALIPERS

DX.225.21.1001K/1002K/1013K/1014K Types

TYPICAL EXPLODED VIEW OF MOST KEY MODELS ARE EXPOSED HERE, TO HELP YOU TO CHOOSE CORRECT REPAIR KITS.



MERITOR CALIPERS

DX.225.21.1001K/1002K/1013K/1014K Types

	PART NO.	CMSK.2.GR		PART NO.	MCK1290
	MAKER	MERITOR		MAKER	MERITOR
	OR PART NO.	-		OR PART NO.	MCK1290
	DESCRIPTION	Shaft (with grease nipple)		DESCRIPTION	Adjusting mechanism (full)
	APPLICATION	DX.225.21. 1001K/1002K 1013K/1014K		APPLICATION	DX.225.21. 1001K/1013K
	PART NO.	CMSK.2.J		PART NO.	MCK1291
	MAKER	MERITOR		MAKER	MERITOR
	OR PART NO.	-		OR PART NO.	MCK1291
	DESCRIPTION	Bracket seal & pin		DESCRIPTION	Adjusting mechanism (full)
	APPLICATION	DX.225.21. 1001K/1002K 1013K/1014K		APPLICATION	DX.225.21. 1002K/1014K
	PART NO.	23123615002		PART NO.	16160001001
	MAKER	MERITOR		MAKER	MERITOR
	OR PART NO.	23123615002		OR PART NO.	16160001001
	DESCRIPTION	Rotor (new design hex head bolt)		DESCRIPTION	Hub & rotor (old design allen head)
	APPLICATION	DX.225.21. 1001K/1002K 1013K/1014K		APPLICATION	DX.225.21. 1001K/1002K 1013K/1014K
	PART NO.	KIT225020			
	MAKER	MERITOR			
	OR PART NO.	KIT225020			
	DESCRIPTION	Pad kit			
	APPLICATION	DX.225.21. 1001K/1002K 1013K/1014K			



D3 - MERITOR CALIPERS

LRG524/25/26/27/28/29/32/33/62/63/622/623 Types

TYPICAL EXPLODED VIEW OF MOST KEY MODELS ARE EXPOSED HERE, TO HELP YOU TO CHOOSE CORRECT REPAIR KITS.



D3 - MERITOR CALIPERS

LRG524/25/26/27/28/29/32/33/62/63/622/623 Types

	<table border="1"> <tr><td>PART NO.</td><td>A7 ? %&%</td></tr> <tr><td>MAKER</td><td>MERITOR</td></tr> <tr><td>OR PART NO.</td><td>SJ4001</td></tr> <tr><td>DESCRIPTION</td><td>Guides & seals</td></tr> <tr><td>APPLICATION</td><td>LRG524/25/26/27/28 /29/32/33/622/623</td></tr> </table>	PART NO.	A7 ? %&%	MAKER	MERITOR	OR PART NO.	SJ4001	DESCRIPTION	Guides & seals	APPLICATION	LRG524/25/26/27/28 /29/32/33/622/623		<table border="1"> <tr><td>PART NO.</td><td>SJ1212</td></tr> <tr><td>MAKER</td><td>MERITOR</td></tr> <tr><td>OR PART NO.</td><td>SJ1212</td></tr> <tr><td>DESCRIPTION</td><td>Cover & boots</td></tr> <tr><td>APPLICATION</td><td>LRG524/25/26/27/28 /29/32/33/622/623</td></tr> </table>	PART NO.	SJ1212	MAKER	MERITOR	OR PART NO.	SJ1212	DESCRIPTION	Cover & boots	APPLICATION	LRG524/25/26/27/28 /29/32/33/622/623
PART NO.	A7 ? %&%																						
MAKER	MERITOR																						
OR PART NO.	SJ4001																						
DESCRIPTION	Guides & seals																						
APPLICATION	LRG524/25/26/27/28 /29/32/33/622/623																						
PART NO.	SJ1212																						
MAKER	MERITOR																						
OR PART NO.	SJ1212																						
DESCRIPTION	Cover & boots																						
APPLICATION	LRG524/25/26/27/28 /29/32/33/622/623																						
	<table border="1"> <tr><td>PART NO.</td><td>CMSK.24</td></tr> <tr><td>MAKER</td><td>MERITOR</td></tr> <tr><td>OR PART NO.</td><td>-</td></tr> <tr><td>DESCRIPTION</td><td>Shaft (left)</td></tr> <tr><td>APPLICATION</td><td>LRG524 LRG526</td></tr> </table>	PART NO.	CMSK.24	MAKER	MERITOR	OR PART NO.	-	DESCRIPTION	Shaft (left)	APPLICATION	LRG524 LRG526		<table border="1"> <tr><td>PART NO.</td><td>CMSK.25</td></tr> <tr><td>MAKER</td><td>MERITOR</td></tr> <tr><td>OR PART NO.</td><td>-</td></tr> <tr><td>DESCRIPTION</td><td>Shaft (right)</td></tr> <tr><td>APPLICATION</td><td>LRG525 LRG527</td></tr> </table>	PART NO.	CMSK.25	MAKER	MERITOR	OR PART NO.	-	DESCRIPTION	Shaft (right)	APPLICATION	LRG525 LRG527
PART NO.	CMSK.24																						
MAKER	MERITOR																						
OR PART NO.	-																						
DESCRIPTION	Shaft (left)																						
APPLICATION	LRG524 LRG526																						
PART NO.	CMSK.25																						
MAKER	MERITOR																						
OR PART NO.	-																						
DESCRIPTION	Shaft (right)																						
APPLICATION	LRG525 LRG527																						
	<table border="1"> <tr><td>PART NO.</td><td>CMSK.28</td></tr> <tr><td>MAKER</td><td>MERITOR</td></tr> <tr><td>OR PART NO.</td><td>-</td></tr> <tr><td>DESCRIPTION</td><td>Shaft (left)</td></tr> <tr><td>APPLICATION</td><td>LRG528</td></tr> </table>	PART NO.	CMSK.28	MAKER	MERITOR	OR PART NO.	-	DESCRIPTION	Shaft (left)	APPLICATION	LRG528		<table border="1"> <tr><td>PART NO.</td><td>CMSK.29</td></tr> <tr><td>MAKER</td><td>MERITOR</td></tr> <tr><td>OR PART NO.</td><td>-</td></tr> <tr><td>DESCRIPTION</td><td>Shaft (right)</td></tr> <tr><td>APPLICATION</td><td>LRG529</td></tr> </table>	PART NO.	CMSK.29	MAKER	MERITOR	OR PART NO.	-	DESCRIPTION	Shaft (right)	APPLICATION	LRG529
PART NO.	CMSK.28																						
MAKER	MERITOR																						
OR PART NO.	-																						
DESCRIPTION	Shaft (left)																						
APPLICATION	LRG528																						
PART NO.	CMSK.29																						
MAKER	MERITOR																						
OR PART NO.	-																						
DESCRIPTION	Shaft (right)																						
APPLICATION	LRG529																						
	<table border="1"> <tr><td>PART NO.</td><td>CMSK.24.1</td></tr> <tr><td>MAKER</td><td>MERITOR</td></tr> <tr><td>OR PART NO.</td><td>-</td></tr> <tr><td>DESCRIPTION</td><td>Shaft support</td></tr> <tr><td>APPLICATION</td><td>LRG524/26/28 /32/622</td></tr> </table>	PART NO.	CMSK.24.1	MAKER	MERITOR	OR PART NO.	-	DESCRIPTION	Shaft support	APPLICATION	LRG524/26/28 /32/622		<table border="1"> <tr><td>PART NO.</td><td>CMSK.25.%</td></tr> <tr><td>MAKER</td><td>MERITOR</td></tr> <tr><td>OR PART NO.</td><td>-</td></tr> <tr><td>DESCRIPTION</td><td>Shaft support</td></tr> <tr><td>APPLICATION</td><td>LRG525/27/29 /33/623</td></tr> </table>	PART NO.	CMSK.25.%	MAKER	MERITOR	OR PART NO.	-	DESCRIPTION	Shaft support	APPLICATION	LRG525/27/29 /33/623
PART NO.	CMSK.24.1																						
MAKER	MERITOR																						
OR PART NO.	-																						
DESCRIPTION	Shaft support																						
APPLICATION	LRG524/26/28 /32/622																						
PART NO.	CMSK.25.%																						
MAKER	MERITOR																						
OR PART NO.	-																						
DESCRIPTION	Shaft support																						
APPLICATION	LRG525/27/29 /33/623																						
	<table border="1"> <tr><td>PART NO.</td><td>CMSK.24.3</td></tr> <tr><td>MAKER</td><td>MERITOR</td></tr> <tr><td>OR PART NO.</td><td>-</td></tr> <tr><td>DESCRIPTION</td><td>Clutch system (left)</td></tr> <tr><td>APPLICATION</td><td>LRG524/26/28 /32/622</td></tr> </table>	PART NO.	CMSK.24.3	MAKER	MERITOR	OR PART NO.	-	DESCRIPTION	Clutch system (left)	APPLICATION	LRG524/26/28 /32/622		<table border="1"> <tr><td>PART NO.</td><td>CMSK.25.3</td></tr> <tr><td>MAKER</td><td>MERITOR</td></tr> <tr><td>OR PART NO.</td><td>-</td></tr> <tr><td>DESCRIPTION</td><td>Clutch system (right)</td></tr> <tr><td>APPLICATION</td><td>LRG525/27/29 /33/623</td></tr> </table>	PART NO.	CMSK.25.3	MAKER	MERITOR	OR PART NO.	-	DESCRIPTION	Clutch system (right)	APPLICATION	LRG525/27/29 /33/623
PART NO.	CMSK.24.3																						
MAKER	MERITOR																						
OR PART NO.	-																						
DESCRIPTION	Clutch system (left)																						
APPLICATION	LRG524/26/28 /32/622																						
PART NO.	CMSK.25.3																						
MAKER	MERITOR																						
OR PART NO.	-																						
DESCRIPTION	Clutch system (right)																						
APPLICATION	LRG525/27/29 /33/623																						

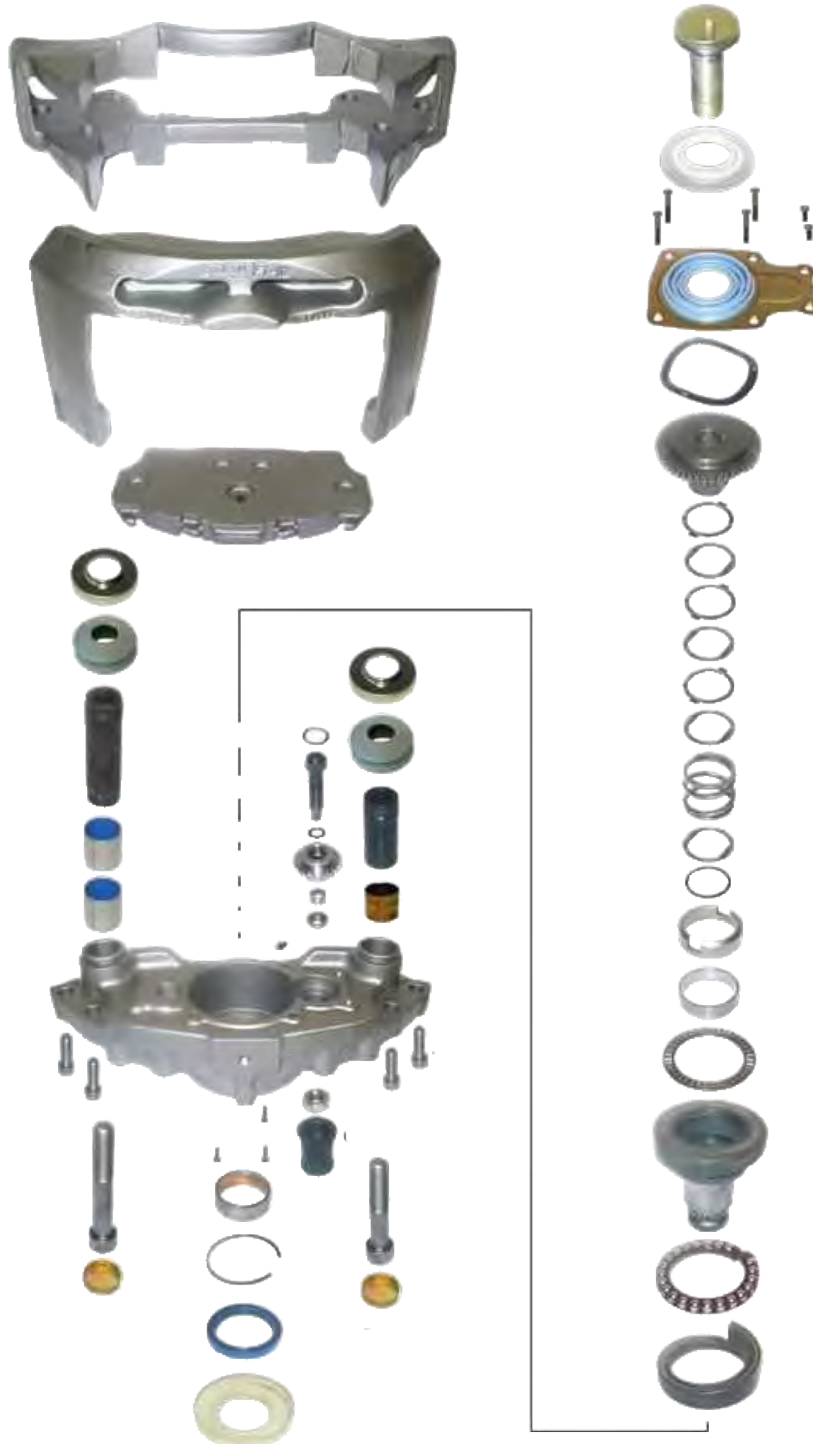
MORE KITS NEXT PAGE



D3 - MERITOR CALIPERS

LRG524/25/26/27/28/29/32/33/62/63/622/623 Types

TYPICAL EXPLODED VIEW OF MOST KEY MODELS ARE EXPOSED HERE, TO HELP YOU TO CHOOSE CORRECT REPAIR KITS.



D3 - MERITOR CALIPERS

LRG524/25/26/27/28/29/32/33/62/63/622/623 Types

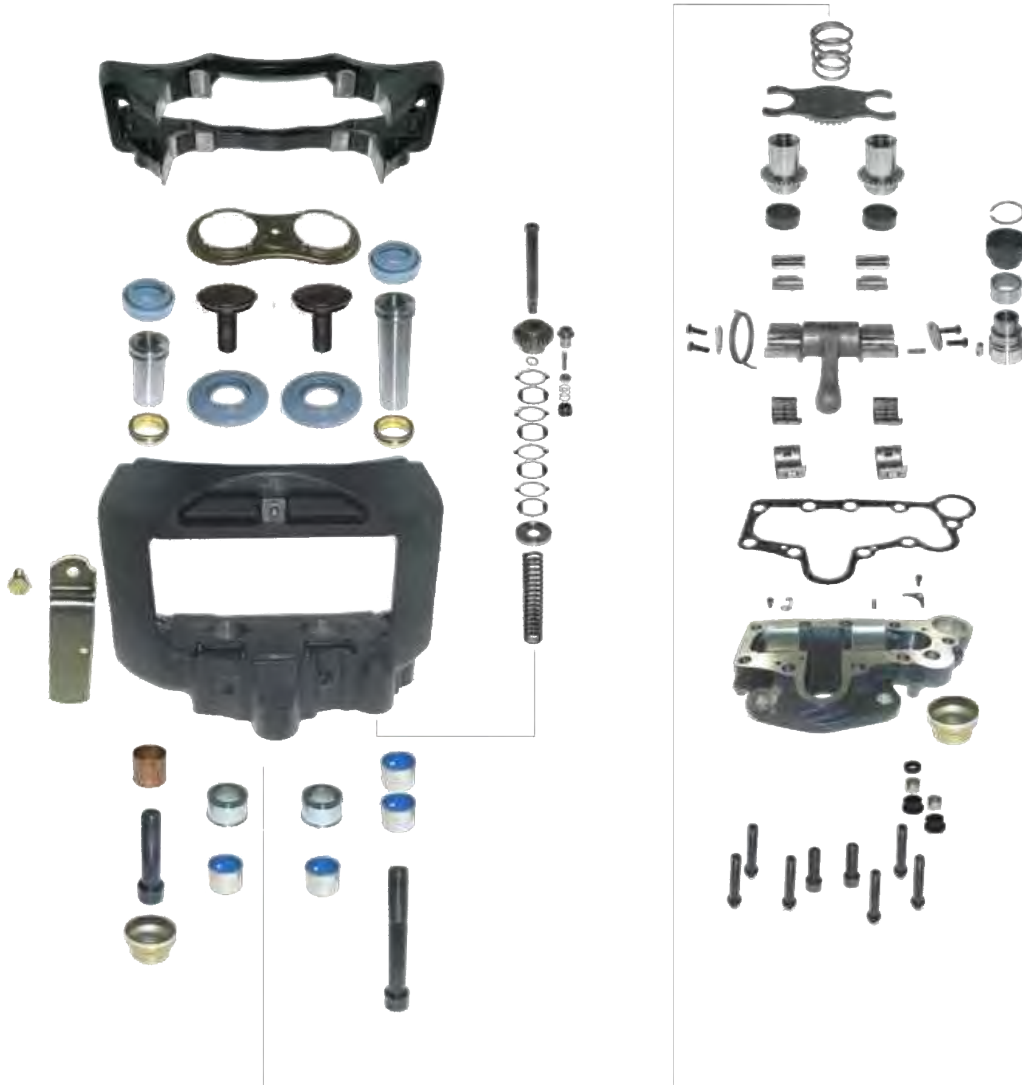
	PART NO.	CMSK.24.4		PART NO.	CMSK.25.4
	MAKER	MERITOR		MAKER	MERITOR
	OR PART NO.	-		OR PART NO.	-
	DESCRIPTION	Adjuster tappet (left)		DESCRIPTION	Adjuster tappet (right)
	APPLICATION	LRG524/26/28/32/622		APPLICATION	LRG525/27/29
	PART NO.	CMSK.24.5		PART NO.	CMSK.25.5
	MAKER	MERITOR		MAKER	MERITOR
	OR PART NO.	-		OR PART NO.	-
	DESCRIPTION	Small clutch system (left)		DESCRIPTION	Small clutch system (right)
	APPLICATION	LRG524/26/28/32/622		APPLICATION	LRG525/27/29/33/623
	PART NO.	CMSK.24.6		PART NO.	CMSK.24.7
	MAKER	MERITOR		MAKER	MERITOR
	OR PART NO.	-		OR PART NO.	-
	DESCRIPTION	Wavy washer		DESCRIPTION	Shaft roller bearing
	APPLICATION	LRG524/25/26/27/28/29/32/33/622/623		APPLICATION	LRG524/25/26/27/28/29/32/33/622/623
	PART NO.	CMSK.24.2		PART NO.	CMSK.24.8
	MAKER	MERITOR		MAKER	MERITOR
	OR PART NO.	-		OR PART NO.	68320507PK10
	DESCRIPTION	Thrust ball bearing		DESCRIPTION	Cover
	APPLICATION	LRG524/25/26/27/28/29/32/33/622/623		APPLICATION	LRG528/29
	PART NO.	CMSK.24.9		PART NO.	CMSK.24.10
	MAKER	MERITOR		MAKER	MERITOR
	OR PART NO.	Euclid only		OR PART NO.	Euclid only
	DESCRIPTION	Bush & seals		DESCRIPTION	Screws for main body (M16 x 1.5 L50)
	APPLICATION	LRG528/29		APPLICATION	LRG528/29



ELSA 1 - MERITOR CALIPERS

LRG586/587/588/589 Types

TYPICAL EXPLODED VIEW OF MOST KEY MODELS ARE EXPOSED HERE, TO HELP YOU TO CHOOSE CORRECT REPAIR KITS.



ELSA 1 - MERITOR CALIPERS

LRG586/587/588/589 Types

	<table border="1"> <tr><td>PART NO.</td><td>SJ4112</td></tr> <tr><td>MAKER</td><td>MERITOR</td></tr> <tr><td>OR PART NO.</td><td>SJ4112</td></tr> <tr><td>DESCRIPTION</td><td>Half bearing</td></tr> <tr><td>APPLICATION</td><td>LRG586/87 /88/89</td></tr> </table>	PART NO.	SJ4112	MAKER	MERITOR	OR PART NO.	SJ4112	DESCRIPTION	Half bearing	APPLICATION	LRG586/87 /88/89		<table border="1"> <tr><td>PART NO.</td><td>MCK1102</td></tr> <tr><td>MAKER</td><td>MERITOR</td></tr> <tr><td>OR PART NO.</td><td>MCK1102</td></tr> <tr><td>DESCRIPTION</td><td>Guides & bushes</td></tr> <tr><td>APPLICATION</td><td>LRG588/89</td></tr> </table>	PART NO.	MCK1102	MAKER	MERITOR	OR PART NO.	MCK1102	DESCRIPTION	Guides & bushes	APPLICATION	LRG588/89
PART NO.	SJ4112																						
MAKER	MERITOR																						
OR PART NO.	SJ4112																						
DESCRIPTION	Half bearing																						
APPLICATION	LRG586/87 /88/89																						
PART NO.	MCK1102																						
MAKER	MERITOR																						
OR PART NO.	MCK1102																						
DESCRIPTION	Guides & bushes																						
APPLICATION	LRG588/89																						
	<table border="1"> <tr><td>PART NO.</td><td>68322562PK4</td></tr> <tr><td>MAKER</td><td>MERITOR</td></tr> <tr><td>OR PART NO.</td><td>-</td></tr> <tr><td>DESCRIPTION</td><td>Small gear mechanism (left)</td></tr> <tr><td>APPLICATION</td><td>LRG589</td></tr> </table>	PART NO.	68322562PK4	MAKER	MERITOR	OR PART NO.	-	DESCRIPTION	Small gear mechanism (left)	APPLICATION	LRG589		<table border="1"> <tr><td>PART NO.</td><td>68322563PK4</td></tr> <tr><td>MAKER</td><td>MERITOR</td></tr> <tr><td>OR PART NO.</td><td>-</td></tr> <tr><td>DESCRIPTION</td><td>Small gear mechanism (right)</td></tr> <tr><td>APPLICATION</td><td>LRG588</td></tr> </table>	PART NO.	68322563PK4	MAKER	MERITOR	OR PART NO.	-	DESCRIPTION	Small gear mechanism (right)	APPLICATION	LRG588
PART NO.	68322562PK4																						
MAKER	MERITOR																						
OR PART NO.	-																						
DESCRIPTION	Small gear mechanism (left)																						
APPLICATION	LRG589																						
PART NO.	68322563PK4																						
MAKER	MERITOR																						
OR PART NO.	-																						
DESCRIPTION	Small gear mechanism (right)																						
APPLICATION	LRG588																						
	<table border="1"> <tr><td>PART NO.</td><td>68321678PK10</td></tr> <tr><td>MAKER</td><td>MERITOR</td></tr> <tr><td>OR PART NO.</td><td>68321678PK10</td></tr> <tr><td>DESCRIPTION</td><td>Locking shim</td></tr> <tr><td>APPLICATION</td><td>LRG588/89</td></tr> </table>	PART NO.	68321678PK10	MAKER	MERITOR	OR PART NO.	68321678PK10	DESCRIPTION	Locking shim	APPLICATION	LRG588/89		<table border="1"> <tr><td>PART NO.</td><td>MCK1102</td></tr> <tr><td>MAKER</td><td>MERITOR</td></tr> <tr><td>OR PART NO.</td><td>MCK1102</td></tr> <tr><td>DESCRIPTION</td><td>Guides & bushes</td></tr> <tr><td>APPLICATION</td><td>LRG586/87</td></tr> </table>	PART NO.	MCK1102	MAKER	MERITOR	OR PART NO.	MCK1102	DESCRIPTION	Guides & bushes	APPLICATION	LRG586/87
PART NO.	68321678PK10																						
MAKER	MERITOR																						
OR PART NO.	68321678PK10																						
DESCRIPTION	Locking shim																						
APPLICATION	LRG588/89																						
PART NO.	MCK1102																						
MAKER	MERITOR																						
OR PART NO.	MCK1102																						
DESCRIPTION	Guides & bushes																						
APPLICATION	LRG586/87																						
	<table border="1"> <tr><td>PART NO.</td><td>CMSK.5.6</td></tr> <tr><td>MAKER</td><td>MERITOR</td></tr> <tr><td>OR PART NO.</td><td>Euclid only</td></tr> <tr><td>DESCRIPTION</td><td>Adj. mechanism & tappets (left)</td></tr> <tr><td>APPLICATION</td><td>LRG586</td></tr> </table>	PART NO.	CMSK.5.6	MAKER	MERITOR	OR PART NO.	Euclid only	DESCRIPTION	Adj. mechanism & tappets (left)	APPLICATION	LRG586		<table border="1"> <tr><td>PART NO.</td><td>CMSK.5.7</td></tr> <tr><td>MAKER</td><td>MERITOR</td></tr> <tr><td>OR PART NO.</td><td>Euclid only</td></tr> <tr><td>DESCRIPTION</td><td>Adj. mechanism & tappets (right)</td></tr> <tr><td>APPLICATION</td><td>LRG587</td></tr> </table>	PART NO.	CMSK.5.7	MAKER	MERITOR	OR PART NO.	Euclid only	DESCRIPTION	Adj. mechanism & tappets (right)	APPLICATION	LRG587
PART NO.	CMSK.5.6																						
MAKER	MERITOR																						
OR PART NO.	Euclid only																						
DESCRIPTION	Adj. mechanism & tappets (left)																						
APPLICATION	LRG586																						
PART NO.	CMSK.5.7																						
MAKER	MERITOR																						
OR PART NO.	Euclid only																						
DESCRIPTION	Adj. mechanism & tappets (right)																						
APPLICATION	LRG587																						
	<table border="1"> <tr><td>PART NO.</td><td>ST1156</td></tr> <tr><td>MAKER</td><td>MERITOR</td></tr> <tr><td>OR PART NO.</td><td>ST1156</td></tr> <tr><td>DESCRIPTION</td><td>Tappet cover</td></tr> <tr><td>APPLICATION</td><td>LRG586/87</td></tr> </table>	PART NO.	ST1156	MAKER	MERITOR	OR PART NO.	ST1156	DESCRIPTION	Tappet cover	APPLICATION	LRG586/87												
PART NO.	ST1156																						
MAKER	MERITOR																						
OR PART NO.	ST1156																						
DESCRIPTION	Tappet cover																						
APPLICATION	LRG586/87																						

MORE KITS NEXT PAGE

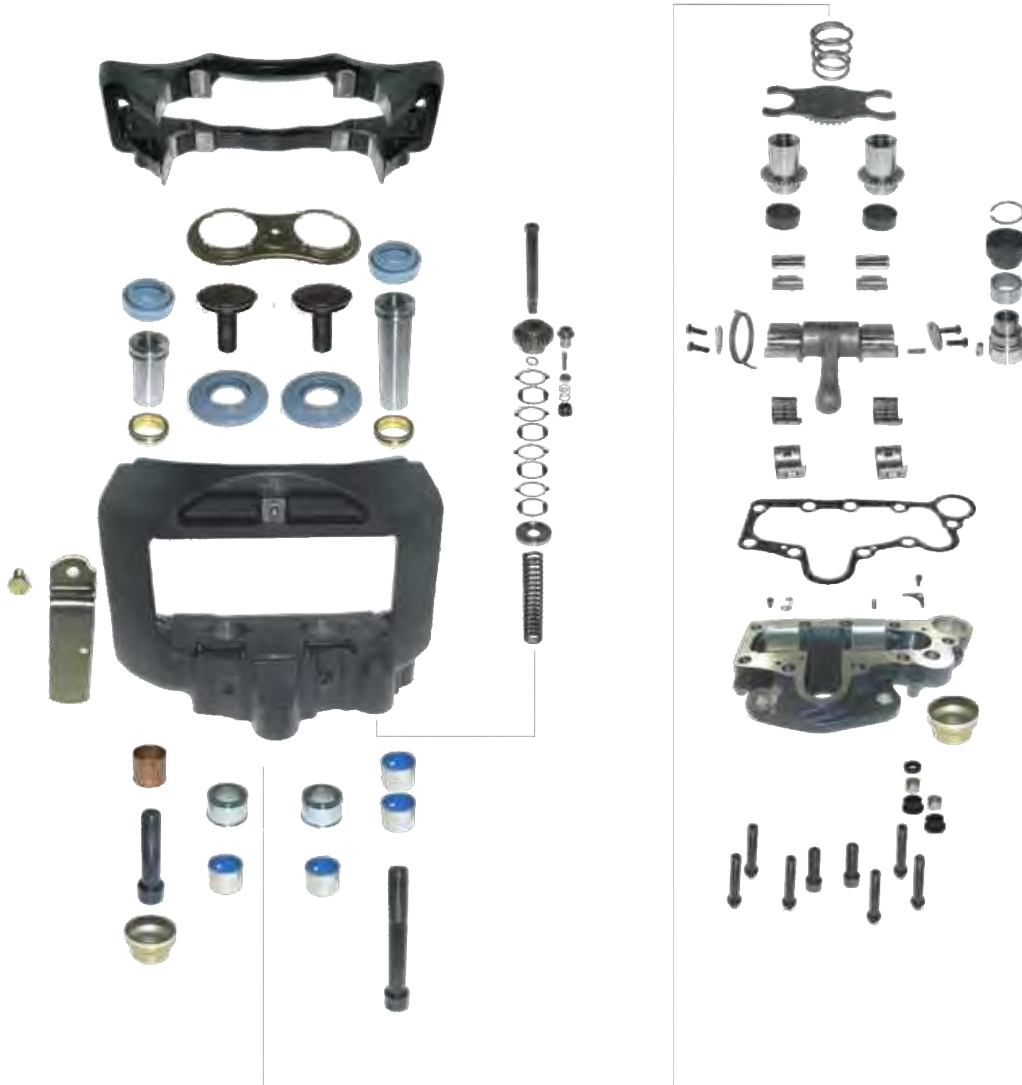
 **MERITOR**

 **EUCLID**

ELSA 1 - MERITOR CALIPERS

LRG586/587/588/589 Types

TYPICAL EXPLODED VIEW OF MOST KEY MODELS ARE EXPOSED HERE, TO HELP YOU TO CHOOSE CORRECT REPAIR KITS.



ELSA 1 - MERITOR CALIPERS

LRG586/587/588/589 Types

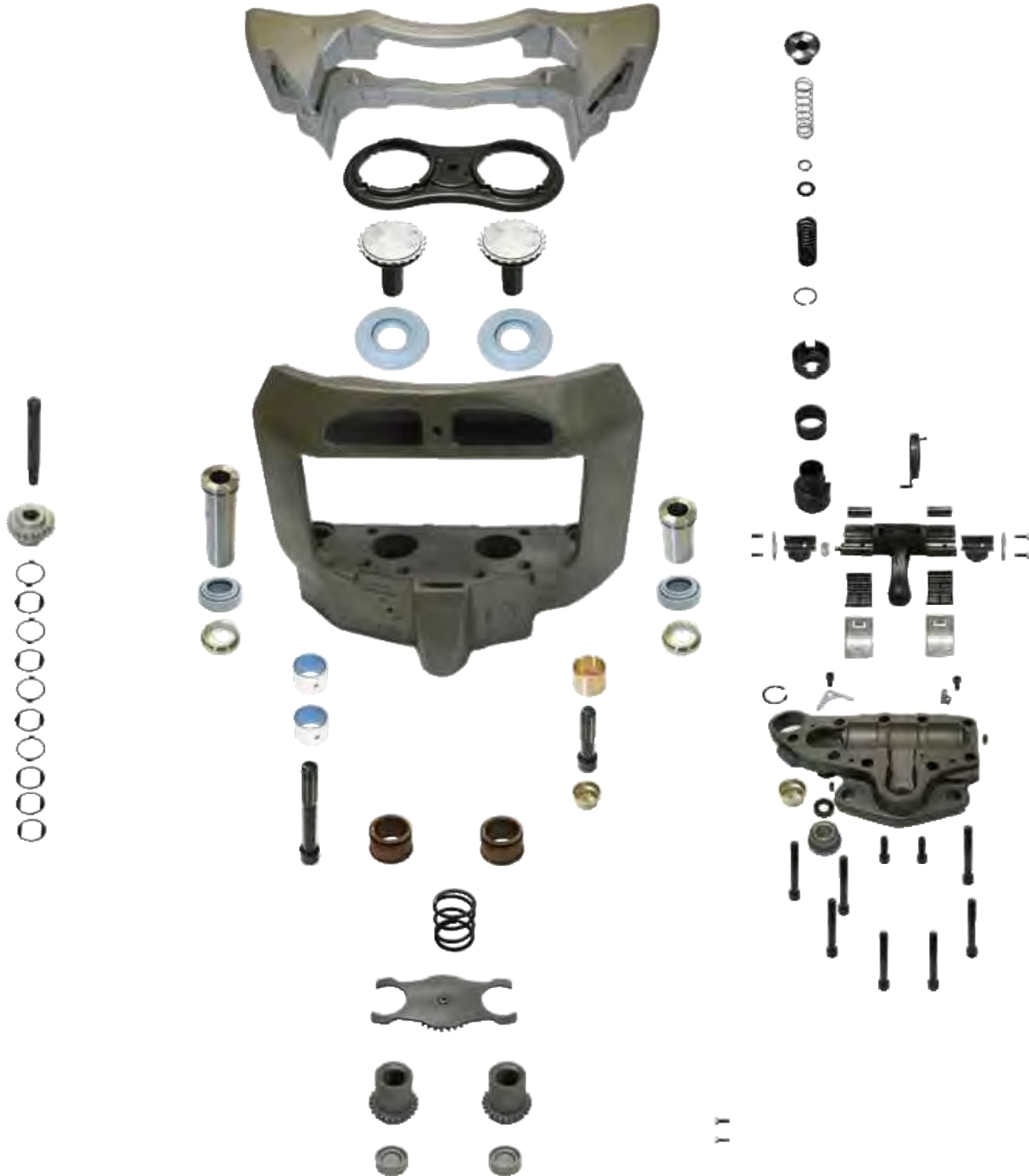
	<table border="1"> <tr><td>PART NO.</td><td>CMSK.5.9</td></tr> <tr><td>MAKER</td><td>MERITOR</td></tr> <tr><td>OR PART NO.</td><td>Euclid only</td></tr> <tr><td>DESCRIPTION</td><td>Adj. mech clutch syst (left)</td></tr> <tr><td>APPLICATION</td><td>LRG586</td></tr> </table>	PART NO.	CMSK.5.9	MAKER	MERITOR	OR PART NO.	Euclid only	DESCRIPTION	Adj. mech clutch syst (left)	APPLICATION	LRG586		<table border="1"> <tr><td>PART NO.</td><td>CMSK5.10</td></tr> <tr><td>MAKER</td><td>MERITOR</td></tr> <tr><td>OR PART NO.</td><td>Euclid only</td></tr> <tr><td>DESCRIPTION</td><td>Adj. mech clutch syst (right)</td></tr> <tr><td>APPLICATION</td><td>LRG587</td></tr> </table>	PART NO.	CMSK5.10	MAKER	MERITOR	OR PART NO.	Euclid only	DESCRIPTION	Adj. mech clutch syst (right)	APPLICATION	LRG587
PART NO.	CMSK.5.9																						
MAKER	MERITOR																						
OR PART NO.	Euclid only																						
DESCRIPTION	Adj. mech clutch syst (left)																						
APPLICATION	LRG586																						
PART NO.	CMSK5.10																						
MAKER	MERITOR																						
OR PART NO.	Euclid only																						
DESCRIPTION	Adj. mech clutch syst (right)																						
APPLICATION	LRG587																						
	<table border="1"> <tr><td>PART NO.</td><td>CMSK.5.14</td></tr> <tr><td>MAKER</td><td>MERITOR</td></tr> <tr><td>OR PART NO.</td><td>Euclid only</td></tr> <tr><td>DESCRIPTION</td><td>Operating shaft (lever) (left)</td></tr> <tr><td>APPLICATION</td><td>LRG586</td></tr> </table>	PART NO.	CMSK.5.14	MAKER	MERITOR	OR PART NO.	Euclid only	DESCRIPTION	Operating shaft (lever) (left)	APPLICATION	LRG586		<table border="1"> <tr><td>PART NO.</td><td>CMSK.5.15</td></tr> <tr><td>MAKER</td><td>MERITOR</td></tr> <tr><td>OR PART NO.</td><td>Euclid only</td></tr> <tr><td>DESCRIPTION</td><td>Operating shaft (lever) (right)</td></tr> <tr><td>APPLICATION</td><td>LRG587</td></tr> </table>	PART NO.	CMSK.5.15	MAKER	MERITOR	OR PART NO.	Euclid only	DESCRIPTION	Operating shaft (lever) (right)	APPLICATION	LRG587
PART NO.	CMSK.5.14																						
MAKER	MERITOR																						
OR PART NO.	Euclid only																						
DESCRIPTION	Operating shaft (lever) (left)																						
APPLICATION	LRG586																						
PART NO.	CMSK.5.15																						
MAKER	MERITOR																						
OR PART NO.	Euclid only																						
DESCRIPTION	Operating shaft (lever) (right)																						
APPLICATION	LRG587																						
	<table border="1"> <tr><td>PART NO.</td><td>CMSK.5.11</td></tr> <tr><td>MAKER</td><td>MERITOR</td></tr> <tr><td>OR PART NO.</td><td>Euclid only</td></tr> <tr><td>DESCRIPTION</td><td>Spring retainers thrust (left)</td></tr> <tr><td>APPLICATION</td><td>LRG586</td></tr> </table>	PART NO.	CMSK.5.11	MAKER	MERITOR	OR PART NO.	Euclid only	DESCRIPTION	Spring retainers thrust (left)	APPLICATION	LRG586		<table border="1"> <tr><td>PART NO.</td><td>CMSK.5.12</td></tr> <tr><td>MAKER</td><td>MERITOR</td></tr> <tr><td>OR PART NO.</td><td>Euclid only</td></tr> <tr><td>DESCRIPTION</td><td>Spring retainers thrust (right)</td></tr> <tr><td>APPLICATION</td><td>LRG587</td></tr> </table>	PART NO.	CMSK.5.12	MAKER	MERITOR	OR PART NO.	Euclid only	DESCRIPTION	Spring retainers thrust (right)	APPLICATION	LRG587
PART NO.	CMSK.5.11																						
MAKER	MERITOR																						
OR PART NO.	Euclid only																						
DESCRIPTION	Spring retainers thrust (left)																						
APPLICATION	LRG586																						
PART NO.	CMSK.5.12																						
MAKER	MERITOR																						
OR PART NO.	Euclid only																						
DESCRIPTION	Spring retainers thrust (right)																						
APPLICATION	LRG587																						
	<table border="1"> <tr><td>PART NO.</td><td>68322300PK10</td></tr> <tr><td>MAKER</td><td>MERITOR</td></tr> <tr><td>OR PART NO.</td><td>68322300PK10</td></tr> <tr><td>DESCRIPTION</td><td>Seals & caps</td></tr> <tr><td>APPLICATION</td><td>LRG586/87</td></tr> </table>	PART NO.	68322300PK10	MAKER	MERITOR	OR PART NO.	68322300PK10	DESCRIPTION	Seals & caps	APPLICATION	LRG586/87		<table border="1"> <tr><td>PART NO.</td><td>CMSK.5.17</td></tr> <tr><td>MAKER</td><td>MERITOR</td></tr> <tr><td>OR PART NO.</td><td>Euclid only</td></tr> <tr><td>DESCRIPTION</td><td>Bolt M14 x 1.5 L90</td></tr> <tr><td>APPLICATION</td><td>LRG586/87</td></tr> </table>	PART NO.	CMSK.5.17	MAKER	MERITOR	OR PART NO.	Euclid only	DESCRIPTION	Bolt M14 x 1.5 L90	APPLICATION	LRG586/87
PART NO.	68322300PK10																						
MAKER	MERITOR																						
OR PART NO.	68322300PK10																						
DESCRIPTION	Seals & caps																						
APPLICATION	LRG586/87																						
PART NO.	CMSK.5.17																						
MAKER	MERITOR																						
OR PART NO.	Euclid only																						
DESCRIPTION	Bolt M14 x 1.5 L90																						
APPLICATION	LRG586/87																						
	<table border="1"> <tr><td>PART NO.</td><td>CMSK.5.16</td></tr> <tr><td>MAKER</td><td>MERITOR</td></tr> <tr><td>OR PART NO.</td><td>Euclid only</td></tr> <tr><td>DESCRIPTION</td><td>10 x Bush 35 x 39 x 30</td></tr> <tr><td>APPLICATION</td><td>LRG586/87</td></tr> </table>	PART NO.	CMSK.5.16	MAKER	MERITOR	OR PART NO.	Euclid only	DESCRIPTION	10 x Bush 35 x 39 x 30	APPLICATION	LRG586/87		<table border="1"> <tr><td>PART NO.</td><td>CMSK.24.10</td></tr> <tr><td>MAKER</td><td>MERITOR</td></tr> <tr><td>OR PART NO.</td><td>Euclid only</td></tr> <tr><td>DESCRIPTION</td><td>Screws for main body (M16 x 1.5 L50)</td></tr> <tr><td>APPLICATION</td><td>LRG586/87</td></tr> </table>	PART NO.	CMSK.24.10	MAKER	MERITOR	OR PART NO.	Euclid only	DESCRIPTION	Screws for main body (M16 x 1.5 L50)	APPLICATION	LRG586/87
PART NO.	CMSK.5.16																						
MAKER	MERITOR																						
OR PART NO.	Euclid only																						
DESCRIPTION	10 x Bush 35 x 39 x 30																						
APPLICATION	LRG586/87																						
PART NO.	CMSK.24.10																						
MAKER	MERITOR																						
OR PART NO.	Euclid only																						
DESCRIPTION	Screws for main body (M16 x 1.5 L50)																						
APPLICATION	LRG586/87																						



ELSA 1 RADIAL - MERITOR CALIPERS

LRG542/43/70/71/90/91/632/633/642/643 Types

TYPICAL EXPLODED VIEW OF MOST KEY MODELS ARE EXPOSED HERE, TO HELP YOU TO CHOOSE CORRECT REPAIR KITS.



ELSA 1 RADIAL - MERITOR CALIPERS

LRG542/43/70/71/90/91/632/633/642/643 Types

	<table border="1"> <tr><td>PART NO.</td><td>SJ4112</td></tr> <tr><td>MAKER</td><td>MERITOR</td></tr> <tr><td>OR PART NO.</td><td>SJ4112</td></tr> <tr><td>DESCRIPTION</td><td>Half bearing</td></tr> <tr><td>APPLICATION</td><td>LRG542/43/70/71/90/91/632/633/642/643</td></tr> </table>	PART NO.	SJ4112	MAKER	MERITOR	OR PART NO.	SJ4112	DESCRIPTION	Half bearing	APPLICATION	LRG542/43/70/71/90/91/632/633/642/643		<table border="1"> <tr><td>PART NO.</td><td>MCK1102</td></tr> <tr><td>MAKER</td><td>MERITOR</td></tr> <tr><td>OR PART NO.</td><td>MCK1102</td></tr> <tr><td>DESCRIPTION</td><td>Guides & bushes</td></tr> <tr><td>APPLICATION</td><td>LRG542/43/70/71/90/91/632/633/642/643</td></tr> </table>	PART NO.	MCK1102	MAKER	MERITOR	OR PART NO.	MCK1102	DESCRIPTION	Guides & bushes	APPLICATION	LRG542/43/70/71/90/91/632/633/642/643
PART NO.	SJ4112																						
MAKER	MERITOR																						
OR PART NO.	SJ4112																						
DESCRIPTION	Half bearing																						
APPLICATION	LRG542/43/70/71/90/91/632/633/642/643																						
PART NO.	MCK1102																						
MAKER	MERITOR																						
OR PART NO.	MCK1102																						
DESCRIPTION	Guides & bushes																						
APPLICATION	LRG542/43/70/71/90/91/632/633/642/643																						
	<table border="1"> <tr><td>PART NO.</td><td>68321678PK10</td></tr> <tr><td>MAKER</td><td>MERITOR</td></tr> <tr><td>OR PART NO.</td><td>68321678PK10</td></tr> <tr><td>DESCRIPTION</td><td>Locking shim</td></tr> <tr><td>APPLICATION</td><td>LRG542/43/70/71/90/91/632/633/642/643</td></tr> </table>	PART NO.	68321678PK10	MAKER	MERITOR	OR PART NO.	68321678PK10	DESCRIPTION	Locking shim	APPLICATION	LRG542/43/70/71/90/91/632/633/642/643		<table border="1"> <tr><td>PART NO.</td><td>ST1156</td></tr> <tr><td>MAKER</td><td>MERITOR</td></tr> <tr><td>OR PART NO.</td><td>ST1156</td></tr> <tr><td>DESCRIPTION</td><td>Tappet cover</td></tr> <tr><td>APPLICATION</td><td>LRG542/43/70/71/90/91/632/633/642/643</td></tr> </table>	PART NO.	ST1156	MAKER	MERITOR	OR PART NO.	ST1156	DESCRIPTION	Tappet cover	APPLICATION	LRG542/43/70/71/90/91/632/633/642/643
PART NO.	68321678PK10																						
MAKER	MERITOR																						
OR PART NO.	68321678PK10																						
DESCRIPTION	Locking shim																						
APPLICATION	LRG542/43/70/71/90/91/632/633/642/643																						
PART NO.	ST1156																						
MAKER	MERITOR																						
OR PART NO.	ST1156																						
DESCRIPTION	Tappet cover																						
APPLICATION	LRG542/43/70/71/90/91/632/633/642/643																						
	<table border="1"> <tr><td>PART NO.</td><td>CMSK.5.6</td></tr> <tr><td>MAKER</td><td>MERITOR</td></tr> <tr><td>OR PART NO.</td><td>-</td></tr> <tr><td>DESCRIPTION</td><td>Adj. mechanism 2 tappers (left)</td></tr> <tr><td>APPLICATION</td><td>LRG542/70/90/632/642</td></tr> </table>	PART NO.	CMSK.5.6	MAKER	MERITOR	OR PART NO.	-	DESCRIPTION	Adj. mechanism 2 tappers (left)	APPLICATION	LRG542/70/90/632/642		<table border="1"> <tr><td>PART NO.</td><td>CMSK.5.7</td></tr> <tr><td>MAKER</td><td>MERITOR</td></tr> <tr><td>OR PART NO.</td><td>-</td></tr> <tr><td>DESCRIPTION</td><td>Adj. mechanism</td></tr> <tr><td>APPLICATION</td><td>LRG543/71/91/633/643</td></tr> </table>	PART NO.	CMSK.5.7	MAKER	MERITOR	OR PART NO.	-	DESCRIPTION	Adj. mechanism	APPLICATION	LRG543/71/91/633/643
PART NO.	CMSK.5.6																						
MAKER	MERITOR																						
OR PART NO.	-																						
DESCRIPTION	Adj. mechanism 2 tappers (left)																						
APPLICATION	LRG542/70/90/632/642																						
PART NO.	CMSK.5.7																						
MAKER	MERITOR																						
OR PART NO.	-																						
DESCRIPTION	Adj. mechanism																						
APPLICATION	LRG543/71/91/633/643																						
	<table border="1"> <tr><td>PART NO.</td><td>CMSK.5.9</td></tr> <tr><td>MAKER</td><td>MERITOR</td></tr> <tr><td>OR PART NO.</td><td>-</td></tr> <tr><td>DESCRIPTION</td><td>Adj. mechanism clutch syst. (left)</td></tr> <tr><td>APPLICATION</td><td>LRG542/70/90/632/642</td></tr> </table>	PART NO.	CMSK.5.9	MAKER	MERITOR	OR PART NO.	-	DESCRIPTION	Adj. mechanism clutch syst. (left)	APPLICATION	LRG542/70/90/632/642		<table border="1"> <tr><td>PART NO.</td><td>CMSK.5.10</td></tr> <tr><td>MAKER</td><td>MERITOR</td></tr> <tr><td>OR PART NO.</td><td>-</td></tr> <tr><td>DESCRIPTION</td><td>Adj. mechanism clutch syst. (right)</td></tr> <tr><td>APPLICATION</td><td>LRG543/70/91/633/643</td></tr> </table>	PART NO.	CMSK.5.10	MAKER	MERITOR	OR PART NO.	-	DESCRIPTION	Adj. mechanism clutch syst. (right)	APPLICATION	LRG543/70/91/633/643
PART NO.	CMSK.5.9																						
MAKER	MERITOR																						
OR PART NO.	-																						
DESCRIPTION	Adj. mechanism clutch syst. (left)																						
APPLICATION	LRG542/70/90/632/642																						
PART NO.	CMSK.5.10																						
MAKER	MERITOR																						
OR PART NO.	-																						
DESCRIPTION	Adj. mechanism clutch syst. (right)																						
APPLICATION	LRG543/70/91/633/643																						
	<table border="1"> <tr><td>PART NO.</td><td>CMSK.5.11</td></tr> <tr><td>MAKER</td><td>MERITOR</td></tr> <tr><td>OR PART NO.</td><td>-</td></tr> <tr><td>DESCRIPTION</td><td>Spring retainers thrust (left)</td></tr> <tr><td>APPLICATION</td><td>LRG542/43/70/71/90/91/632/633/642/643</td></tr> </table>	PART NO.	CMSK.5.11	MAKER	MERITOR	OR PART NO.	-	DESCRIPTION	Spring retainers thrust (left)	APPLICATION	LRG542/43/70/71/90/91/632/633/642/643		<table border="1"> <tr><td>PART NO.</td><td>CMSK.5.12</td></tr> <tr><td>MAKER</td><td>MERITOR</td></tr> <tr><td>OR PART NO.</td><td>-</td></tr> <tr><td>DESCRIPTION</td><td>Spring retainers thrust (right)</td></tr> <tr><td>APPLICATION</td><td>LRG542/43/70/71/90/91/632/633/642/643</td></tr> </table>	PART NO.	CMSK.5.12	MAKER	MERITOR	OR PART NO.	-	DESCRIPTION	Spring retainers thrust (right)	APPLICATION	LRG542/43/70/71/90/91/632/633/642/643
PART NO.	CMSK.5.11																						
MAKER	MERITOR																						
OR PART NO.	-																						
DESCRIPTION	Spring retainers thrust (left)																						
APPLICATION	LRG542/43/70/71/90/91/632/633/642/643																						
PART NO.	CMSK.5.12																						
MAKER	MERITOR																						
OR PART NO.	-																						
DESCRIPTION	Spring retainers thrust (right)																						
APPLICATION	LRG542/43/70/71/90/91/632/633/642/643																						
	<table border="1"> <tr><td>PART NO.</td><td>CMSK.5.13</td></tr> <tr><td>MAKER</td><td>MERITOR</td></tr> <tr><td>OR PART NO.</td><td>-</td></tr> <tr><td>DESCRIPTION</td><td>Seals & caps</td></tr> <tr><td>APPLICATION</td><td>LRG542/43/70/71/90/91/632/633/642/643</td></tr> </table>	PART NO.	CMSK.5.13	MAKER	MERITOR	OR PART NO.	-	DESCRIPTION	Seals & caps	APPLICATION	LRG542/43/70/71/90/91/632/633/642/643												
PART NO.	CMSK.5.13																						
MAKER	MERITOR																						
OR PART NO.	-																						
DESCRIPTION	Seals & caps																						
APPLICATION	LRG542/43/70/71/90/91/632/633/642/643																						

ELSA 2 - MERITOR CALIPERS

LRG572/573 Types

TYPICAL EXPLODED VIEW OF MOST KEY MODELS ARE EXPOSED HERE, TO HELP YOU TO CHOOSE CORRECT REPAIR KITS.



ELSA 2 - MERITOR CALIPERS

LRG572/573 Types

	<table border="1"> <tr><td>PART NO.</td><td>MCK1234</td></tr> <tr><td>MAKER</td><td>MERITOR</td></tr> <tr><td>OR PART NO.</td><td>MCK1234</td></tr> <tr><td>DESCRIPTION</td><td>Guide & pin</td></tr> <tr><td>APPLICATION</td><td>LRG572/73</td></tr> </table>	PART NO.	MCK1234	MAKER	MERITOR	OR PART NO.	MCK1234	DESCRIPTION	Guide & pin	APPLICATION	LRG572/73		<table border="1"> <tr><td>PART NO.</td><td>MCK1309</td></tr> <tr><td>MAKER</td><td>MERITOR</td></tr> <tr><td>OR PART NO.</td><td>MCK1309</td></tr> <tr><td>DESCRIPTION</td><td>Tappets</td></tr> <tr><td>APPLICATION</td><td>LRG572/73</td></tr> </table>	PART NO.	MCK1309	MAKER	MERITOR	OR PART NO.	MCK1309	DESCRIPTION	Tappets	APPLICATION	LRG572/73
PART NO.	MCK1234																						
MAKER	MERITOR																						
OR PART NO.	MCK1234																						
DESCRIPTION	Guide & pin																						
APPLICATION	LRG572/73																						
PART NO.	MCK1309																						
MAKER	MERITOR																						
OR PART NO.	MCK1309																						
DESCRIPTION	Tappets																						
APPLICATION	LRG572/73																						
	<table border="1"> <tr><td>PART NO.</td><td>MCK1244</td></tr> <tr><td>MAKER</td><td>MERITOR</td></tr> <tr><td>OR PART NO.</td><td>MCK1244</td></tr> <tr><td>DESCRIPTION</td><td>Seals</td></tr> <tr><td>APPLICATION</td><td>LRG572/73</td></tr> </table>	PART NO.	MCK1244	MAKER	MERITOR	OR PART NO.	MCK1244	DESCRIPTION	Seals	APPLICATION	LRG572/73		<table border="1"> <tr><td>PART NO.</td><td>MDP5073</td></tr> <tr><td>MAKER</td><td>MERITOR</td></tr> <tr><td>OR PART NO.</td><td>MDP5073</td></tr> <tr><td>DESCRIPTION</td><td>Pad kit</td></tr> <tr><td>APPLICATION</td><td>LRG572/73</td></tr> </table>	PART NO.	MDP5073	MAKER	MERITOR	OR PART NO.	MDP5073	DESCRIPTION	Pad kit	APPLICATION	LRG572/73
PART NO.	MCK1244																						
MAKER	MERITOR																						
OR PART NO.	MCK1244																						
DESCRIPTION	Seals																						
APPLICATION	LRG572/73																						
PART NO.	MDP5073																						
MAKER	MERITOR																						
OR PART NO.	MDP5073																						
DESCRIPTION	Pad kit																						
APPLICATION	LRG572/73																						
	<table border="1"> <tr><td>PART NO.</td><td>CMSK.7.4</td></tr> <tr><td>MAKER</td><td>MERITOR</td></tr> <tr><td>OR PART NO.</td><td>Euclid only</td></tr> <tr><td>DESCRIPTION</td><td>Adj. mechanism sealing</td></tr> <tr><td>APPLICATION</td><td>LRG572/73</td></tr> </table>	PART NO.	CMSK.7.4	MAKER	MERITOR	OR PART NO.	Euclid only	DESCRIPTION	Adj. mechanism sealing	APPLICATION	LRG572/73		<table border="1"> <tr><td>PART NO.</td><td>MBR9004</td></tr> <tr><td>MAKER</td><td>MERITOR</td></tr> <tr><td>OR PART NO.</td><td>MBR9004</td></tr> <tr><td>DESCRIPTION</td><td>Rotor</td></tr> <tr><td>APPLICATION</td><td>LRG572/73</td></tr> </table>	PART NO.	MBR9004	MAKER	MERITOR	OR PART NO.	MBR9004	DESCRIPTION	Rotor	APPLICATION	LRG572/73
PART NO.	CMSK.7.4																						
MAKER	MERITOR																						
OR PART NO.	Euclid only																						
DESCRIPTION	Adj. mechanism sealing																						
APPLICATION	LRG572/73																						
PART NO.	MBR9004																						
MAKER	MERITOR																						
OR PART NO.	MBR9004																						
DESCRIPTION	Rotor																						
APPLICATION	LRG572/73																						
	<table border="1"> <tr><td>PART NO.</td><td>CMSK.7.11.4</td></tr> <tr><td>MAKER</td><td>MERITOR</td></tr> <tr><td>OR PART NO.</td><td>Euclid only</td></tr> <tr><td>DESCRIPTION</td><td>Adjusting device</td></tr> <tr><td>APPLICATION</td><td>LRG572</td></tr> </table>	PART NO.	CMSK.7.11.4	MAKER	MERITOR	OR PART NO.	Euclid only	DESCRIPTION	Adjusting device	APPLICATION	LRG572		<table border="1"> <tr><td>PART NO.</td><td>CMSK.7.11.3</td></tr> <tr><td>MAKER</td><td>MERITOR</td></tr> <tr><td>OR PART NO.</td><td>Euclid only</td></tr> <tr><td>DESCRIPTION</td><td>Adjusting device</td></tr> <tr><td>APPLICATION</td><td>LRG573</td></tr> </table>	PART NO.	CMSK.7.11.3	MAKER	MERITOR	OR PART NO.	Euclid only	DESCRIPTION	Adjusting device	APPLICATION	LRG573
PART NO.	CMSK.7.11.4																						
MAKER	MERITOR																						
OR PART NO.	Euclid only																						
DESCRIPTION	Adjusting device																						
APPLICATION	LRG572																						
PART NO.	CMSK.7.11.3																						
MAKER	MERITOR																						
OR PART NO.	Euclid only																						
DESCRIPTION	Adjusting device																						
APPLICATION	LRG573																						
	<table border="1"> <tr><td>PART NO.</td><td>CMSK.7.5</td></tr> <tr><td>MAKER</td><td>MERITOR</td></tr> <tr><td>OR PART NO.</td><td>Euclid only</td></tr> <tr><td>DESCRIPTION</td><td>Adjusting mechanism</td></tr> <tr><td>APPLICATION</td><td>LRG572/73</td></tr> </table>	PART NO.	CMSK.7.5	MAKER	MERITOR	OR PART NO.	Euclid only	DESCRIPTION	Adjusting mechanism	APPLICATION	LRG572/73		<table border="1"> <tr><td>PART NO.</td><td>CMSK.7.6</td></tr> <tr><td>MAKER</td><td>MERITOR</td></tr> <tr><td>OR PART NO.</td><td>Euclid only</td></tr> <tr><td>DESCRIPTION</td><td>Tappet system</td></tr> <tr><td>APPLICATION</td><td>LRG572/73</td></tr> </table>	PART NO.	CMSK.7.6	MAKER	MERITOR	OR PART NO.	Euclid only	DESCRIPTION	Tappet system	APPLICATION	LRG572/73
PART NO.	CMSK.7.5																						
MAKER	MERITOR																						
OR PART NO.	Euclid only																						
DESCRIPTION	Adjusting mechanism																						
APPLICATION	LRG572/73																						
PART NO.	CMSK.7.6																						
MAKER	MERITOR																						
OR PART NO.	Euclid only																						
DESCRIPTION	Tappet system																						
APPLICATION	LRG572/73																						

[MORE KITS NEXT PAGE](#)



ELSA 2 - MERITOR CALIPERS

LRG572/573 Types

TYPICAL EXPLODED VIEW OF MOST KEY MODELS ARE EXPOSED HERE, TO HELP YOU TO CHOOSE CORRECT REPAIR KITS.



ELSA 2 - MERITOR CALIPERS

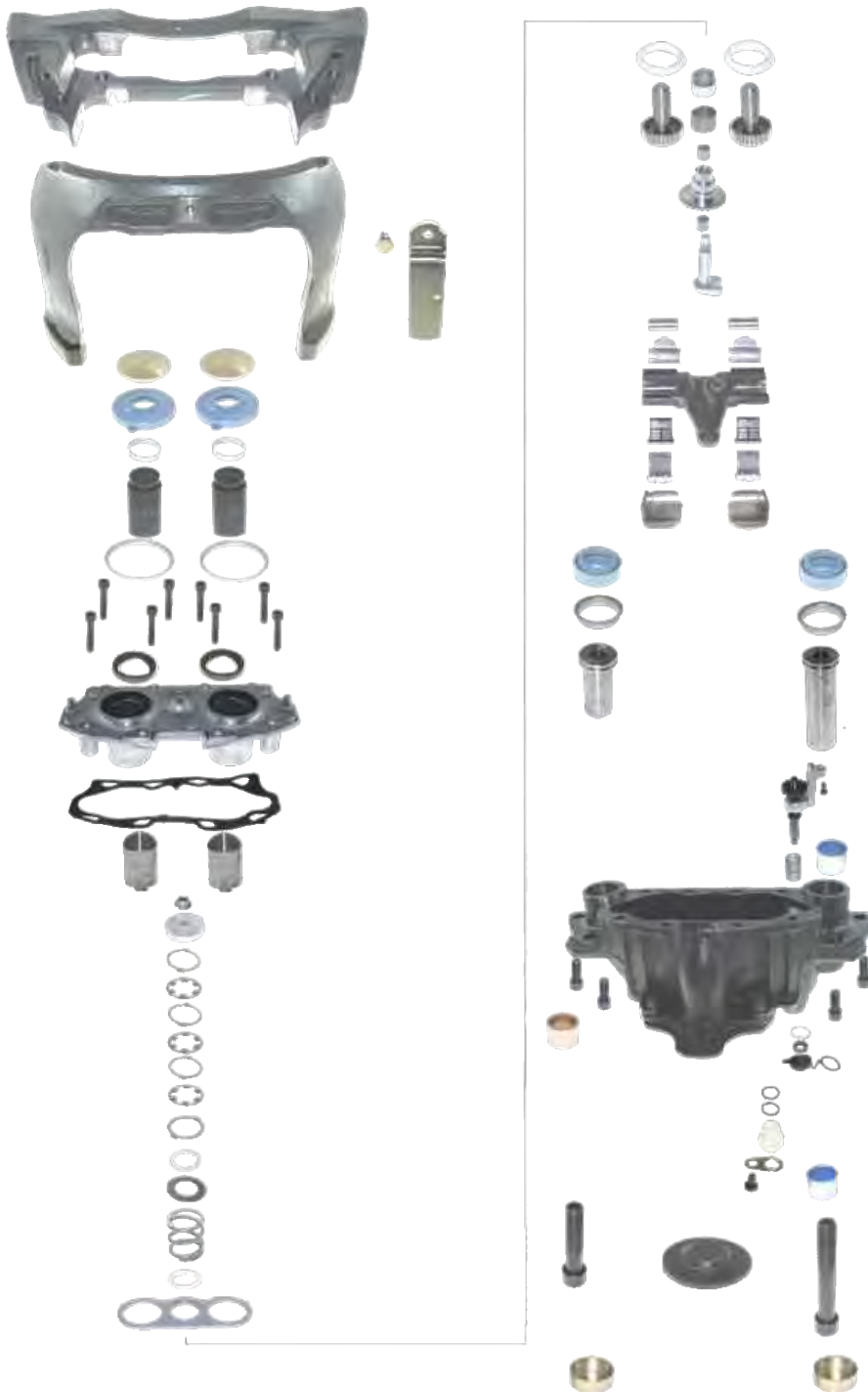
LRG572/573 Types

	<table border="1"> <tr><td>PART NO.</td><td>CMSK.7.9</td></tr> <tr><td>MAKER</td><td>MERITOR</td></tr> <tr><td>OR PART NO.</td><td>Euclid only</td></tr> <tr><td>DESCRIPTION</td><td>Adj. mechanism (central part)</td></tr> <tr><td>APPLICATION</td><td>LRG572/73</td></tr> </table>	PART NO.	CMSK.7.9	MAKER	MERITOR	OR PART NO.	Euclid only	DESCRIPTION	Adj. mechanism (central part)	APPLICATION	LRG572/73		<table border="1"> <tr><td>PART NO.</td><td>SJ4112</td></tr> <tr><td>MAKER</td><td>MERITOR</td></tr> <tr><td>OR PART NO.</td><td>SJ4112</td></tr> <tr><td>DESCRIPTION</td><td>Bearings</td></tr> <tr><td>APPLICATION</td><td>LRG572/73</td></tr> </table>	PART NO.	SJ4112	MAKER	MERITOR	OR PART NO.	SJ4112	DESCRIPTION	Bearings	APPLICATION	LRG572/73
PART NO.	CMSK.7.9																						
MAKER	MERITOR																						
OR PART NO.	Euclid only																						
DESCRIPTION	Adj. mechanism (central part)																						
APPLICATION	LRG572/73																						
PART NO.	SJ4112																						
MAKER	MERITOR																						
OR PART NO.	SJ4112																						
DESCRIPTION	Bearings																						
APPLICATION	LRG572/73																						
	<table border="1"> <tr><td>PART NO.</td><td>MCK1139</td></tr> <tr><td>MAKER</td><td>MERITOR</td></tr> <tr><td>OR PART NO.</td><td>MCK1139</td></tr> <tr><td>DESCRIPTION</td><td>Adjuster tappets cover</td></tr> <tr><td>APPLICATION</td><td>LRG572/73</td></tr> </table>	PART NO.	MCK1139	MAKER	MERITOR	OR PART NO.	MCK1139	DESCRIPTION	Adjuster tappets cover	APPLICATION	LRG572/73		<table border="1"> <tr><td>PART NO.</td><td>CMSK.7.12</td></tr> <tr><td>MAKER</td><td>MERITOR</td></tr> <tr><td>OR PART NO.</td><td>Euclid only</td></tr> <tr><td>DESCRIPTION</td><td>Plug retain (access adj device)</td></tr> <tr><td>APPLICATION</td><td>LRG572/73</td></tr> </table>	PART NO.	CMSK.7.12	MAKER	MERITOR	OR PART NO.	Euclid only	DESCRIPTION	Plug retain (access adj device)	APPLICATION	LRG572/73
PART NO.	MCK1139																						
MAKER	MERITOR																						
OR PART NO.	MCK1139																						
DESCRIPTION	Adjuster tappets cover																						
APPLICATION	LRG572/73																						
PART NO.	CMSK.7.12																						
MAKER	MERITOR																						
OR PART NO.	Euclid only																						
DESCRIPTION	Plug retain (access adj device)																						
APPLICATION	LRG572/73																						
	<table border="1"> <tr><td>PART NO.</td><td>CMSK.7.13</td></tr> <tr><td>MAKER</td><td>MERITOR</td></tr> <tr><td>OR PART NO.</td><td>Euclid only</td></tr> <tr><td>DESCRIPTION</td><td>Clutch system</td></tr> <tr><td>APPLICATION</td><td>LRG572/73</td></tr> </table>	PART NO.	CMSK.7.13	MAKER	MERITOR	OR PART NO.	Euclid only	DESCRIPTION	Clutch system	APPLICATION	LRG572/73		<table border="1"> <tr><td>PART NO.</td><td>CMSK.7.8</td></tr> <tr><td>MAKER</td><td>MERITOR</td></tr> <tr><td>OR PART NO.</td><td>Euclid only</td></tr> <tr><td>DESCRIPTION</td><td>Central ring</td></tr> <tr><td>APPLICATION</td><td>LRG572/73</td></tr> </table>	PART NO.	CMSK.7.8	MAKER	MERITOR	OR PART NO.	Euclid only	DESCRIPTION	Central ring	APPLICATION	LRG572/73
PART NO.	CMSK.7.13																						
MAKER	MERITOR																						
OR PART NO.	Euclid only																						
DESCRIPTION	Clutch system																						
APPLICATION	LRG572/73																						
PART NO.	CMSK.7.8																						
MAKER	MERITOR																						
OR PART NO.	Euclid only																						
DESCRIPTION	Central ring																						
APPLICATION	LRG572/73																						
	<table border="1"> <tr><td>PART NO.</td><td>68322655PK10</td></tr> <tr><td>MAKER</td><td>MERITOR</td></tr> <tr><td>OR PART NO.</td><td>68322655PK10</td></tr> <tr><td>DESCRIPTION</td><td>Adjuster stem dust</td></tr> <tr><td>APPLICATION</td><td>LRG572/73</td></tr> </table>	PART NO.	68322655PK10	MAKER	MERITOR	OR PART NO.	68322655PK10	DESCRIPTION	Adjuster stem dust	APPLICATION	LRG572/73		<table border="1"> <tr><td>PART NO.</td><td>MCK1174</td></tr> <tr><td>MAKER</td><td>MERITOR</td></tr> <tr><td>OR PART NO.</td><td>MCK1174</td></tr> <tr><td>DESCRIPTION</td><td>Pad retainer</td></tr> <tr><td>APPLICATION</td><td>LRG572/73</td></tr> </table>	PART NO.	MCK1174	MAKER	MERITOR	OR PART NO.	MCK1174	DESCRIPTION	Pad retainer	APPLICATION	LRG572/73
PART NO.	68322655PK10																						
MAKER	MERITOR																						
OR PART NO.	68322655PK10																						
DESCRIPTION	Adjuster stem dust																						
APPLICATION	LRG572/73																						
PART NO.	MCK1174																						
MAKER	MERITOR																						
OR PART NO.	MCK1174																						
DESCRIPTION	Pad retainer																						
APPLICATION	LRG572/73																						
	<table border="1"> <tr><td>PART NO.</td><td>68323746PK10</td></tr> <tr><td>MAKER</td><td>MERITOR</td></tr> <tr><td>OR PART NO.</td><td>68323746PK10</td></tr> <tr><td>DESCRIPTION</td><td>Actuator seal</td></tr> <tr><td>APPLICATION</td><td>LRG572/73</td></tr> </table>	PART NO.	68323746PK10	MAKER	MERITOR	OR PART NO.	68323746PK10	DESCRIPTION	Actuator seal	APPLICATION	LRG572/73		<table border="1"> <tr><td>PART NO.</td><td>MCK1088</td></tr> <tr><td>MAKER</td><td>MERITOR</td></tr> <tr><td>OR PART NO.</td><td>MCK1088</td></tr> <tr><td>DESCRIPTION</td><td>Operating seals</td></tr> <tr><td>APPLICATION</td><td>LRG572/73</td></tr> </table>	PART NO.	MCK1088	MAKER	MERITOR	OR PART NO.	MCK1088	DESCRIPTION	Operating seals	APPLICATION	LRG572/73
PART NO.	68323746PK10																						
MAKER	MERITOR																						
OR PART NO.	68323746PK10																						
DESCRIPTION	Actuator seal																						
APPLICATION	LRG572/73																						
PART NO.	MCK1088																						
MAKER	MERITOR																						
OR PART NO.	MCK1088																						
DESCRIPTION	Operating seals																						
APPLICATION	LRG572/73																						
	<table border="1"> <tr><td>PART NO.</td><td>CMSK.5.16</td></tr> <tr><td>MAKER</td><td>MERITOR</td></tr> <tr><td>OR PART NO.</td><td>Euclid only</td></tr> <tr><td>DESCRIPTION</td><td>10 x Bush 35 x 39 x 30</td></tr> <tr><td>APPLICATION</td><td>LRG572/73</td></tr> </table>	PART NO.	CMSK.5.16	MAKER	MERITOR	OR PART NO.	Euclid only	DESCRIPTION	10 x Bush 35 x 39 x 30	APPLICATION	LRG572/73		<table border="1"> <tr><td>PART NO.</td><td>MCK1240</td></tr> <tr><td>MAKER</td><td>MERITOR</td></tr> <tr><td>OR PART NO.</td><td>MCK1240</td></tr> <tr><td>DESCRIPTION</td><td>Visual wear pad assembly</td></tr> <tr><td>APPLICATION</td><td>LRG572/73</td></tr> </table>	PART NO.	MCK1240	MAKER	MERITOR	OR PART NO.	MCK1240	DESCRIPTION	Visual wear pad assembly	APPLICATION	LRG572/73
PART NO.	CMSK.5.16																						
MAKER	MERITOR																						
OR PART NO.	Euclid only																						
DESCRIPTION	10 x Bush 35 x 39 x 30																						
APPLICATION	LRG572/73																						
PART NO.	MCK1240																						
MAKER	MERITOR																						
OR PART NO.	MCK1240																						
DESCRIPTION	Visual wear pad assembly																						
APPLICATION	LRG572/73																						

LM ELSA 195 - MERITOR CALIPERS



LRG702/703 Types

TYPICAL EXPLODED VIEW OF MOST KEY MODELS ARE EXPOSED HERE, TO HELP YOU TO CHOOSE CORRECT REPAIR KITS.



LM ELSA 195 - MERITOR CALIPERS

LRG702/703 Types

	PART NO.	MCK1254		PART NO.	CMSK.7.6
	MAKER	MERITOR		MAKER	MERITOR
	OR PART NO.	MCK1254		OR PART NO.	-
	DESCRIPTION	Guide pin, seals & screws		DESCRIPTION	Tappets system
APPLICATION	LRG702/03	APPLICATION	LRG702/03		
	PART NO.	CMSK.7.9		PART NO.	CMSK.7.4
	MAKER	MERITOR		MAKER	MERITOR
	OR PART NO.	-		OR PART NO.	-
	DESCRIPTION	Adj. mechanism (central part)		DESCRIPTION	Adj. mechanism sealing
APPLICATION	LRG702/03	APPLICATION	LRG702/03		
	PART NO.	CMSK.7.11.2		PART NO.	68323746PK10
	MAKER	MERITOR		MAKER	MERITOR
	OR PART NO.	-		OR PART NO.	68323746PK10
	DESCRIPTION	Adjusting device (right)		DESCRIPTION	Actuator seal
APPLICATION	LRG702/03	APPLICATION	LRG702/03		
	PART NO.	SJ4112		PART NO.	MCK1139
	MAKER	MERITOR		MAKER	MERITOR
	OR PART NO.	SJ4112		OR PART NO.	-
	DESCRIPTION	Bearings		DESCRIPTION	Shaft support
APPLICATION	LRG702/03	APPLICATION	LRG702/03		
	PART NO.	68322655PK10		PART NO.	MCK1309
	MAKER	MERITOR		MAKER	MERITOR
	OR PART NO.	68322655PK10		OR PART NO.	MCK1309
	DESCRIPTION	Adjuster stem dust		DESCRIPTION	Tappets
APPLICATION	LRG702/03	APPLICATION	LRG702/03		

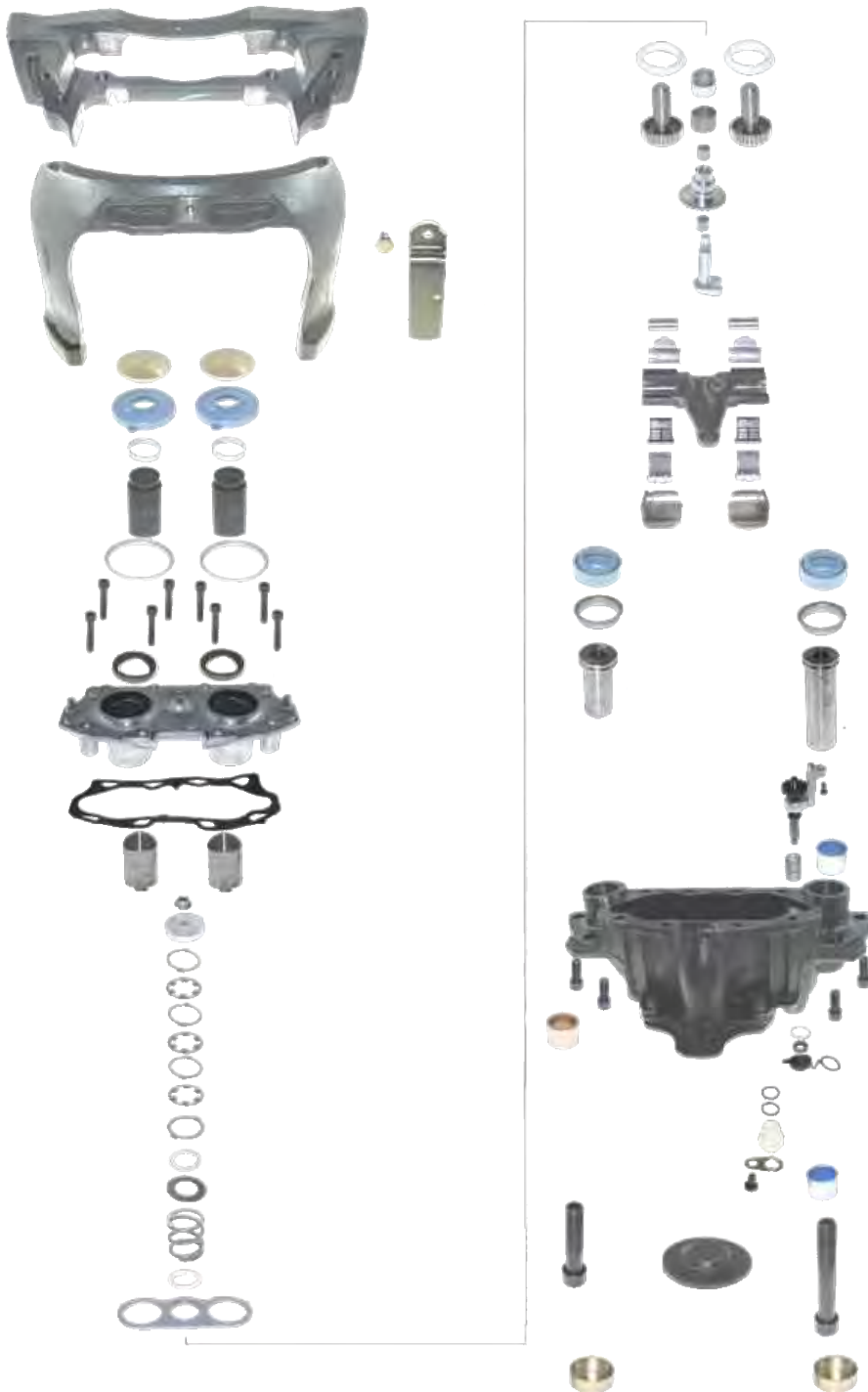
[MORE KITS NEXT PAGE](#)



LM ELSA 195 - MERITOR CALIPERS

LRG702/703 Types

TYPICAL EXPLODED VIEW OF MOST KEY MODELS ARE EXPOSED HERE, TO HELP YOU TO CHOOSE CORRECT REPAIR KITS.



LM ELSA 195 - MERITOR CALIPERS

LRG702/703 Types

	PART NO.	68323746PK10		PART NO.	CMSK.7.13
	MAKER	MERITOR		MAKER	MERITOR
	OR PART NO.	68323746PK10		OR PART NO.	Euclid only
	DESCRIPTION	Actuator seal		DESCRIPTION	Clutch system
	APPLICATION	LRG702/03		APPLICATION	LRG702/03
	PART NO.	CMSK.5.16		PART NO.	CMSK.7.8
	MAKER	MERITOR		MAKER	MERITOR
	OR PART NO.	Euclid only		OR PART NO.	Euclid only
	DESCRIPTION	10 x Bush 35 x 39 x 30		DESCRIPTION	Central ring
	APPLICATION	LRG702/03		APPLICATION	LRG702/03
	PART NO.	CMSK.7.11.1		PART NO.	CMSK.7.11.2
	MAKER	MERITOR		MAKER	MERITOR
	OR PART NO.	Euclid only		OR PART NO.	Euclid only
	DESCRIPTION	Adjusting device (new models)		DESCRIPTION	Adjusting device (old models)
	APPLICATION	LRG702/03		APPLICATION	LRG702/03
	PART NO.	MCK1088		PART NO.	MDP5093
	MAKER	MERITOR		MAKER	MERITOR
	OR PART NO.	MCK1088		OR PART NO.	MDP5093
	DESCRIPTION	Operating seals		DESCRIPTION	Pad kit
	APPLICATION	LRG702/03		APPLICATION	LRG702/03
	PART NO.	MBR9018		PART NO.	
	MAKER	MERITOR		MAKER	
	OR PART NO.	MBR9018		OR PART NO.	
	DESCRIPTION	Rotor		DESCRIPTION	
	APPLICATION	LRG702/03		APPLICATION	



C LISA - MERITOR CALIPERS

LRG554/555 Types

TYPICAL EXPLODED VIEW OF MOST KEY MODELS ARE EXPOSED HERE, TO HELP YOU TO CHOOSE CORRECT REPAIR KITS.



C LISA - MERITOR CALIPERS

LRG554/555 Types

	<table border="1"> <tr> <td>PART NO.</td> <td>G3184</td> </tr> <tr> <td>MAKER</td> <td>MERITOR</td> </tr> <tr> <td>OR PART NO.</td> <td>MCK4114</td> </tr> <tr> <td>DESCRIPTION</td> <td>Adj. mechanism (right)</td> </tr> <tr> <td>APPLICATION</td> <td>LRG555</td> </tr> </table>	PART NO.	G3184	MAKER	MERITOR	OR PART NO.	MCK4114	DESCRIPTION	Adj. mechanism (right)	APPLICATION	LRG555		<table border="1"> <tr> <td>PART NO.</td> <td>G3183</td> </tr> <tr> <td>MAKER</td> <td>MERITOR</td> </tr> <tr> <td>OR PART NO.</td> <td>MCK4113</td> </tr> <tr> <td>DESCRIPTION</td> <td>Adj. mechanism (left)</td> </tr> <tr> <td>APPLICATION</td> <td>LRG554</td> </tr> </table>	PART NO.	G3183	MAKER	MERITOR	OR PART NO.	MCK4113	DESCRIPTION	Adj. mechanism (left)	APPLICATION	LRG554
PART NO.	G3184																						
MAKER	MERITOR																						
OR PART NO.	MCK4114																						
DESCRIPTION	Adj. mechanism (right)																						
APPLICATION	LRG555																						
PART NO.	G3183																						
MAKER	MERITOR																						
OR PART NO.	MCK4113																						
DESCRIPTION	Adj. mechanism (left)																						
APPLICATION	LRG554																						
	<table border="1"> <tr> <td>PART NO.</td> <td>SJ4074</td> </tr> <tr> <td>MAKER</td> <td>MERITOR</td> </tr> <tr> <td>OR PART NO.</td> <td>SJ4074</td> </tr> <tr> <td>DESCRIPTION</td> <td>Adjuster tappet (right)</td> </tr> <tr> <td>APPLICATION</td> <td>LRG555</td> </tr> </table>	PART NO.	SJ4074	MAKER	MERITOR	OR PART NO.	SJ4074	DESCRIPTION	Adjuster tappet (right)	APPLICATION	LRG555		<table border="1"> <tr> <td>PART NO.</td> <td>SJ4073</td> </tr> <tr> <td>MAKER</td> <td>MERITOR</td> </tr> <tr> <td>OR PART NO.</td> <td>SJ4073</td> </tr> <tr> <td>DESCRIPTION</td> <td>Adjuster tappet (left)</td> </tr> <tr> <td>APPLICATION</td> <td>LRG554</td> </tr> </table>	PART NO.	SJ4073	MAKER	MERITOR	OR PART NO.	SJ4073	DESCRIPTION	Adjuster tappet (left)	APPLICATION	LRG554
PART NO.	SJ4074																						
MAKER	MERITOR																						
OR PART NO.	SJ4074																						
DESCRIPTION	Adjuster tappet (right)																						
APPLICATION	LRG555																						
PART NO.	SJ4073																						
MAKER	MERITOR																						
OR PART NO.	SJ4073																						
DESCRIPTION	Adjuster tappet (left)																						
APPLICATION	LRG554																						
	<table border="1"> <tr> <td>PART NO.</td> <td>MCK1022/1152</td> </tr> <tr> <td>MAKER</td> <td>MERITOR</td> </tr> <tr> <td>OR PART NO.</td> <td>MCK1022/1152</td> </tr> <tr> <td>DESCRIPTION</td> <td>Operating shaft (right)</td> </tr> <tr> <td>APPLICATION</td> <td>LRG555</td> </tr> </table>	PART NO.	MCK1022/1152	MAKER	MERITOR	OR PART NO.	MCK1022/1152	DESCRIPTION	Operating shaft (right)	APPLICATION	LRG555		<table border="1"> <tr> <td>PART NO.</td> <td>MCK1021/1151</td> </tr> <tr> <td>MAKER</td> <td>MERITOR</td> </tr> <tr> <td>OR PART NO.</td> <td>MCK1021/1151</td> </tr> <tr> <td>DESCRIPTION</td> <td>Operating shaft (left)</td> </tr> <tr> <td>APPLICATION</td> <td>LRG554</td> </tr> </table>	PART NO.	MCK1021/1151	MAKER	MERITOR	OR PART NO.	MCK1021/1151	DESCRIPTION	Operating shaft (left)	APPLICATION	LRG554
PART NO.	MCK1022/1152																						
MAKER	MERITOR																						
OR PART NO.	MCK1022/1152																						
DESCRIPTION	Operating shaft (right)																						
APPLICATION	LRG555																						
PART NO.	MCK1021/1151																						
MAKER	MERITOR																						
OR PART NO.	MCK1021/1151																						
DESCRIPTION	Operating shaft (left)																						
APPLICATION	LRG554																						
	<table border="1"> <tr> <td>PART NO.</td> <td>SJ4031</td> </tr> <tr> <td>MAKER</td> <td>MERITOR</td> </tr> <tr> <td>OR PART NO.</td> <td>SJ4031</td> </tr> <tr> <td>DESCRIPTION</td> <td>Needle & roller bearings</td> </tr> <tr> <td>APPLICATION</td> <td>LRG554/55</td> </tr> </table>	PART NO.	SJ4031	MAKER	MERITOR	OR PART NO.	SJ4031	DESCRIPTION	Needle & roller bearings	APPLICATION	LRG554/55												
PART NO.	SJ4031																						
MAKER	MERITOR																						
OR PART NO.	SJ4031																						
DESCRIPTION	Needle & roller bearings																						
APPLICATION	LRG554/55																						

[MORE KITS NEXT PAGE](#)



C LISA - MERITOR CALIPERS

LRG554/555 Types

TYPICAL EXPLODED VIEW OF MOST KEY MODELS ARE EXPOSED HERE, TO HELP YOU TO CHOOSE CORRECT REPAIR KITS.



C LISA - MERITOR CALIPERS

LRG554/555 Types

	PART NO.	CMSK.11.1		PART NO.	CMSK.12.1
	MAKER	MERITOR		MAKER	MERITOR
	OR PART NO.	-		OR PART NO.	-
	DESCRIPTION	Shaft		DESCRIPTION	Shaft
APPLICATION	LRG554	APPLICATION	LRG555		
	PART NO.	CMSK.11.2		PART NO.	CMSK.12.2
	MAKER	MERITOR		MAKER	MERITOR
	OR PART NO.	-		OR PART NO.	-
	DESCRIPTION	Shaft base		DESCRIPTION	Shaft base
APPLICATION	LRG554	APPLICATION	LRG555		
	PART NO.	CMSK.11.3		PART NO.	CMSK.11.4
	MAKER	MERITOR		MAKER	MERITOR
	OR PART NO.	-		OR PART NO.	-
	DESCRIPTION	Balls		DESCRIPTION	Spring
APPLICATION	LRG554/555	APPLICATION	LRG554/555		
	PART NO.	CMSK.5.17		PART NO.	CMSK.54.1
	MAKER	MERITOR		MAKER	MERITOR
	OR PART NO.	Euclid only		OR PART NO.	SJ4061
	DESCRIPTION	Bolt		DESCRIPTION	Boot & seals
APPLICATION	LRG554/555	APPLICATION	LRG554/555		



If you detect any errors in this catalogue, please let us know. We want the information to be as accurate as possible and appreciate your assistance in this.

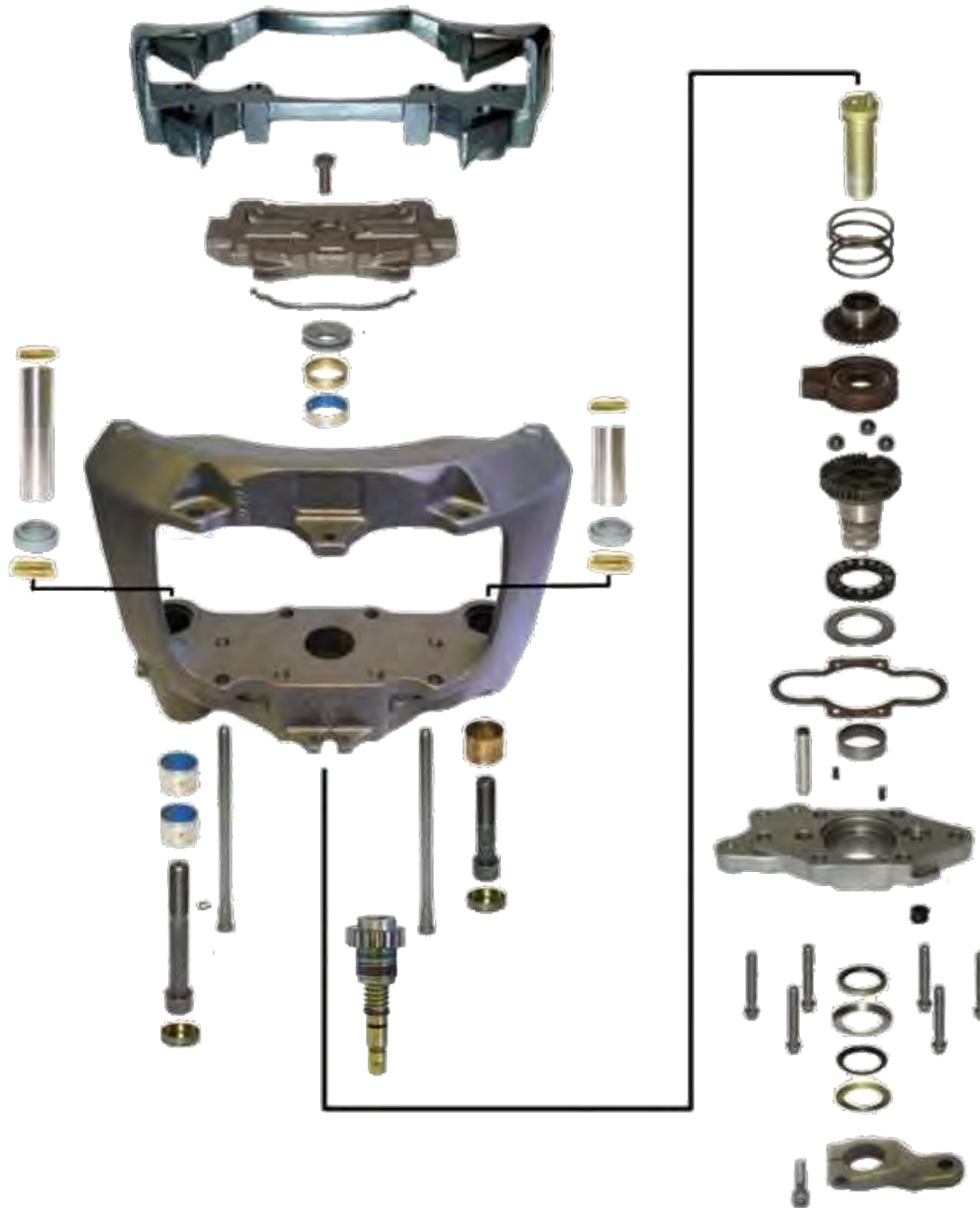
Please advise us of any corrections or comments on:
Phone: 03 8353 6050, or Fax: 03 8353 6060.



D LISA - MERITOR CALIPERS

LRG548/49/50/51/54/55/64/65/92/93/630/631 Types

TYPICAL EXPLODED VIEW OF MOST KEY MODELS ARE EXPOSED HERE, TO HELP YOU TO CHOOSE CORRECT REPAIR KITS.



D LISA - MERITOR CALIPERS

LRG548/49/50/51/54/55/64/65/92/93/630/631 Types

	<table border="1"> <tr><td>PART NO.</td><td>SJ4078</td></tr> <tr><td>MAKER</td><td>MERITOR</td></tr> <tr><td>OR PART NO.</td><td>SJ4078</td></tr> <tr><td>DESCRIPTION</td><td>Boot & seals</td></tr> <tr><td>APPLICATION</td><td>LRG548/49/50/51</td></tr> </table>	PART NO.	SJ4078	MAKER	MERITOR	OR PART NO.	SJ4078	DESCRIPTION	Boot & seals	APPLICATION	LRG548/49/50/51		<table border="1"> <tr><td>PART NO.</td><td>SJ4076</td></tr> <tr><td>MAKER</td><td>MERITOR</td></tr> <tr><td>OR PART NO.</td><td>SJ4076</td></tr> <tr><td>DESCRIPTION</td><td>Guides, pins & sleeves</td></tr> <tr><td>APPLICATION</td><td>LRG548/49/50/51/54/55</td></tr> </table>	PART NO.	SJ4076	MAKER	MERITOR	OR PART NO.	SJ4076	DESCRIPTION	Guides, pins & sleeves	APPLICATION	LRG548/49/50/51/54/55
PART NO.	SJ4078																						
MAKER	MERITOR																						
OR PART NO.	SJ4078																						
DESCRIPTION	Boot & seals																						
APPLICATION	LRG548/49/50/51																						
PART NO.	SJ4076																						
MAKER	MERITOR																						
OR PART NO.	SJ4076																						
DESCRIPTION	Guides, pins & sleeves																						
APPLICATION	LRG548/49/50/51/54/55																						
	<table border="1"> <tr><td>PART NO.</td><td>SJ4113</td></tr> <tr><td>MAKER</td><td>MERITOR</td></tr> <tr><td>OR PART NO.</td><td>SJ4113</td></tr> <tr><td>DESCRIPTION</td><td>Adj. mechanism (left)</td></tr> <tr><td>APPLICATION</td><td>LRG548/50/54/64/92/630</td></tr> </table>	PART NO.	SJ4113	MAKER	MERITOR	OR PART NO.	SJ4113	DESCRIPTION	Adj. mechanism (left)	APPLICATION	LRG548/50/54/64/92/630		<table border="1"> <tr><td>PART NO.</td><td>SJ4114</td></tr> <tr><td>MAKER</td><td>MERITOR</td></tr> <tr><td>OR PART NO.</td><td>SJ4114</td></tr> <tr><td>DESCRIPTION</td><td>Adj. mechanism (right)</td></tr> <tr><td>APPLICATION</td><td>LRG549/51/54/65/93/631</td></tr> </table>	PART NO.	SJ4114	MAKER	MERITOR	OR PART NO.	SJ4114	DESCRIPTION	Adj. mechanism (right)	APPLICATION	LRG549/51/54/65/93/631
PART NO.	SJ4113																						
MAKER	MERITOR																						
OR PART NO.	SJ4113																						
DESCRIPTION	Adj. mechanism (left)																						
APPLICATION	LRG548/50/54/64/92/630																						
PART NO.	SJ4114																						
MAKER	MERITOR																						
OR PART NO.	SJ4114																						
DESCRIPTION	Adj. mechanism (right)																						
APPLICATION	LRG549/51/54/65/93/631																						
	<table border="1"> <tr><td>PART NO.</td><td>SJ4073</td></tr> <tr><td>MAKER</td><td>MERITOR</td></tr> <tr><td>OR PART NO.</td><td>SJ4073</td></tr> <tr><td>DESCRIPTION</td><td>Adjuster tappet (left)</td></tr> <tr><td>APPLICATION</td><td>LRG548/50/54/64/92/630</td></tr> </table>	PART NO.	SJ4073	MAKER	MERITOR	OR PART NO.	SJ4073	DESCRIPTION	Adjuster tappet (left)	APPLICATION	LRG548/50/54/64/92/630		<table border="1"> <tr><td>PART NO.</td><td>SJ4074</td></tr> <tr><td>MAKER</td><td>MERITOR</td></tr> <tr><td>OR PART NO.</td><td>SJ4074</td></tr> <tr><td>DESCRIPTION</td><td>Adjuster tappet (right)</td></tr> <tr><td>APPLICATION</td><td>LRG549/51/54/65/93/631</td></tr> </table>	PART NO.	SJ4074	MAKER	MERITOR	OR PART NO.	SJ4074	DESCRIPTION	Adjuster tappet (right)	APPLICATION	LRG549/51/54/65/93/631
PART NO.	SJ4073																						
MAKER	MERITOR																						
OR PART NO.	SJ4073																						
DESCRIPTION	Adjuster tappet (left)																						
APPLICATION	LRG548/50/54/64/92/630																						
PART NO.	SJ4074																						
MAKER	MERITOR																						
OR PART NO.	SJ4074																						
DESCRIPTION	Adjuster tappet (right)																						
APPLICATION	LRG549/51/54/65/93/631																						
	<table border="1"> <tr><td>PART NO.</td><td>MCK1151</td></tr> <tr><td>MAKER</td><td>MERITOR</td></tr> <tr><td>OR PART NO.</td><td>MCK1151</td></tr> <tr><td>DESCRIPTION</td><td>Operating shaft (left)</td></tr> <tr><td>APPLICATION</td><td>LRG548/50/54/64/92</td></tr> </table>	PART NO.	MCK1151	MAKER	MERITOR	OR PART NO.	MCK1151	DESCRIPTION	Operating shaft (left)	APPLICATION	LRG548/50/54/64/92		<table border="1"> <tr><td>PART NO.</td><td>MCK1152</td></tr> <tr><td>MAKER</td><td>MERITOR</td></tr> <tr><td>OR PART NO.</td><td>MCK1152</td></tr> <tr><td>DESCRIPTION</td><td>Operating shaft (right)</td></tr> <tr><td>APPLICATION</td><td>LRG549/51/54/65/93</td></tr> </table>	PART NO.	MCK1152	MAKER	MERITOR	OR PART NO.	MCK1152	DESCRIPTION	Operating shaft (right)	APPLICATION	LRG549/51/54/65/93
PART NO.	MCK1151																						
MAKER	MERITOR																						
OR PART NO.	MCK1151																						
DESCRIPTION	Operating shaft (left)																						
APPLICATION	LRG548/50/54/64/92																						
PART NO.	MCK1152																						
MAKER	MERITOR																						
OR PART NO.	MCK1152																						
DESCRIPTION	Operating shaft (right)																						
APPLICATION	LRG549/51/54/65/93																						
	<table border="1"> <tr><td>PART NO.</td><td>SJ4031</td></tr> <tr><td>MAKER</td><td>MERITOR</td></tr> <tr><td>OR PART NO.</td><td>SJ4031</td></tr> <tr><td>DESCRIPTION</td><td>Needle & roller bearings</td></tr> <tr><td>APPLICATION</td><td>LRG548/49/50/51/54/55/64/65/92/93/630/631</td></tr> </table>	PART NO.	SJ4031	MAKER	MERITOR	OR PART NO.	SJ4031	DESCRIPTION	Needle & roller bearings	APPLICATION	LRG548/49/50/51/54/55/64/65/92/93/630/631												
PART NO.	SJ4031																						
MAKER	MERITOR																						
OR PART NO.	SJ4031																						
DESCRIPTION	Needle & roller bearings																						
APPLICATION	LRG548/49/50/51/54/55/64/65/92/93/630/631																						

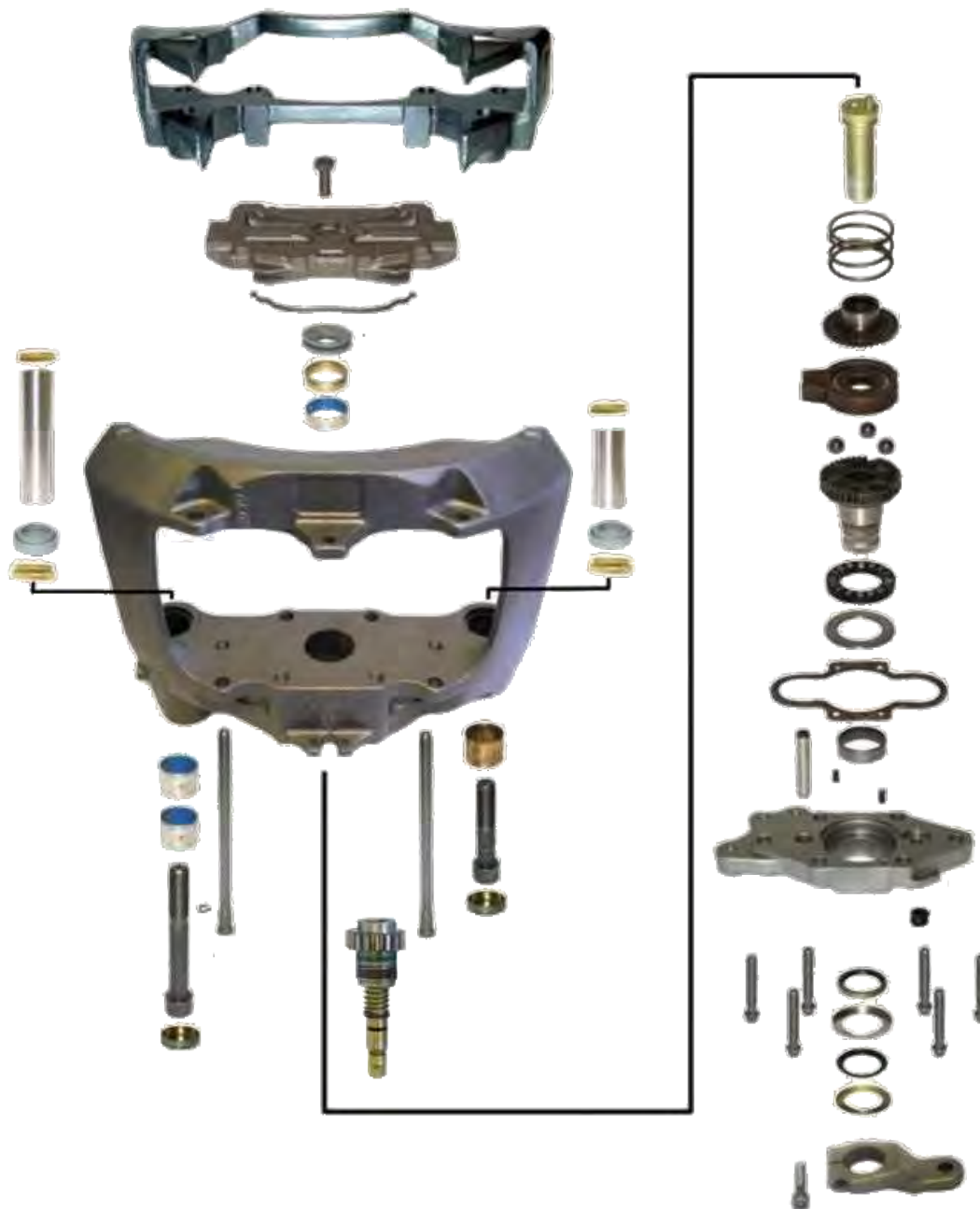
MORE KITS NEXT PAGE



D LISA - MERITOR CALIPERS

LRG548/49/50/51/54/55/64/65/92/93/630/631 Types

TYPICAL EXPLODED VIEW OF MOST KEY MODELS ARE EXPOSED HERE, TO HELP YOU TO CHOOSE CORRECT REPAIR KITS.



D LISA - MERITOR CALIPERS

LRG548/49/50/51/54/55/64/65/92/93/630/631 Types

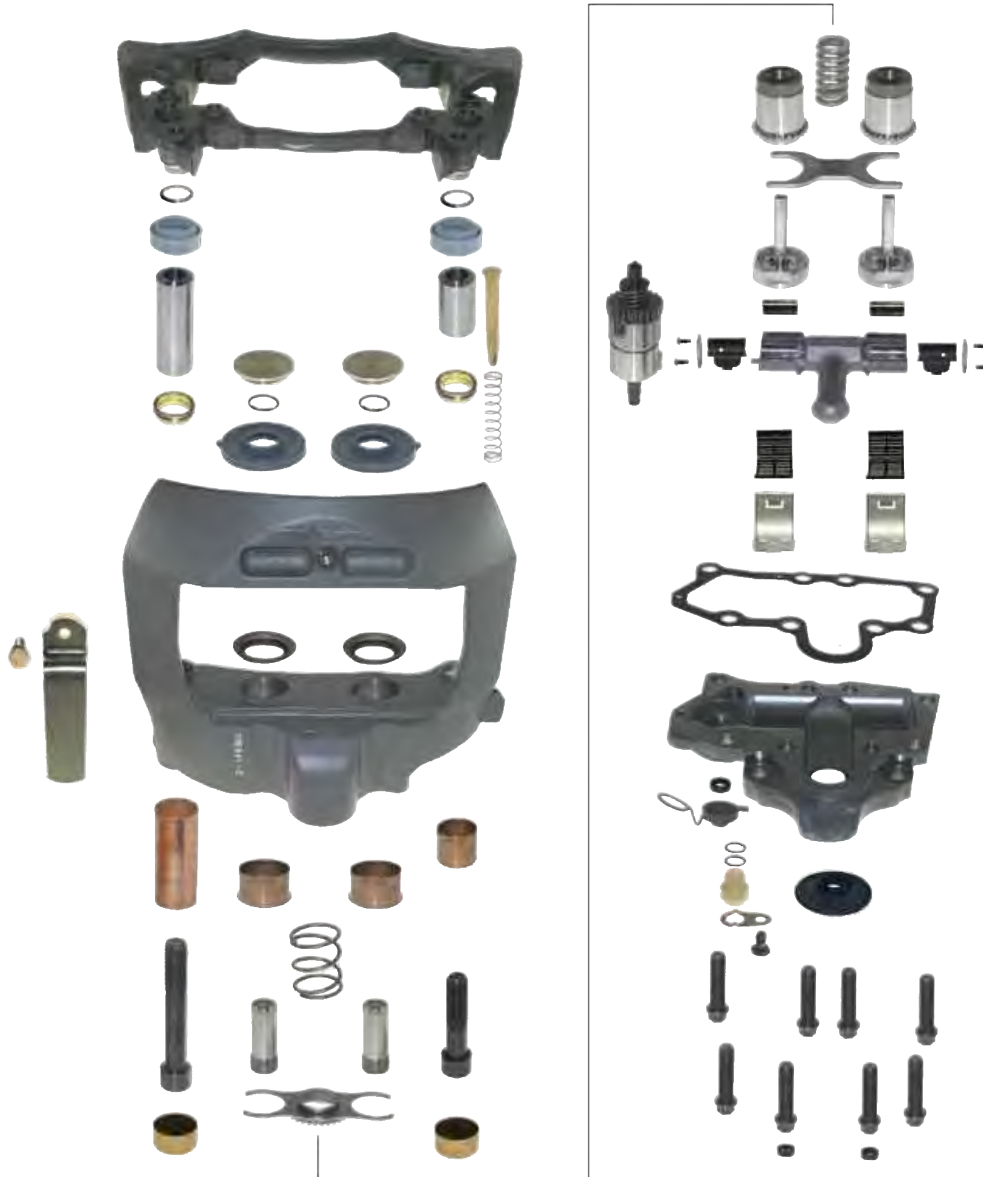
	PART NO.	CMSK.11.1		PART NO.	CMSK.12.1
	MAKER	MERITOR		MAKER	MERITOR
	OR PART NO.	-		OR PART NO.	-
	DESCRIPTION	Shaft		DESCRIPTION	Shaft
	APPLICATION	LRG548/50/54/64/92/630		APPLICATION	LRG549/51/54/65/93/631
	PART NO.	CMSK.11.2		PART NO.	CMSK.12.2
	MAKER	MERITOR		MAKER	MERITOR
	OR PART NO.	-		OR PART NO.	-
	DESCRIPTION	Shaft base		DESCRIPTION	Shaft base
	APPLICATION	LRG548/50/54/64/92/630		APPLICATION	LRG549/51/54/65/93/631
	PART NO.	CMSK.11.3		PART NO.	CMSK.11.4
	MAKER	MERITOR		MAKER	MERITOR
	OR PART NO.	-		OR PART NO.	-
	DESCRIPTION	Balls		DESCRIPTION	Spring
	APPLICATION	LRG548/49		APPLICATION	LRG548/49/50/51/54/55/64/65
	PART NO.	CMSK.5.16		PART NO.	CMSK.5.17
	MAKER	MERITOR		MAKER	MERITOR
	OR PART NO.	Euclid only		OR PART NO.	Euclid only
	DESCRIPTION	10 x bush 35 x 39 x 30		DESCRIPTION	Bolt
	APPLICATION	LRG548/49/64/65/92/93		APPLICATION	LRG548/49



C & D DUCO - MERITOR CALIPERS

LRG536/537/552/553/560/561/596/597/598/599/648/649 Types

TYPICAL EXPLODED VIEW OF MOST KEY MODELS ARE EXPOSED HERE, TO HELP YOU TO CHOOSE CORRECT REPAIR KITS.



C & D DUCO - MERITOR CALIPERS

LRG536/537/552/553/560/561/596/597/598/599/648/649/652/653 Types

	<table border="1"> <tr><td>PART NO.</td><td>MCK1134</td></tr> <tr><td>MAKER</td><td>MERITOR</td></tr> <tr><td>OR PART NO.</td><td>MCK1134</td></tr> <tr><td>DESCRIPTION</td><td>Guide pins</td></tr> <tr><td>APPLICATION</td><td>LRG536/537/552/553/648/649</td></tr> </table>	PART NO.	MCK1134	MAKER	MERITOR	OR PART NO.	MCK1134	DESCRIPTION	Guide pins	APPLICATION	LRG536/537/552/553/648/649		<table border="1"> <tr><td>PART NO.</td><td>MCK1067</td></tr> <tr><td>MAKER</td><td>MERITOR</td></tr> <tr><td>OR PART NO.</td><td>MCK1067</td></tr> <tr><td>DESCRIPTION</td><td>Intermediate gear & spring</td></tr> <tr><td>APPLICATION</td><td>LRG536/537/560/561/648/649</td></tr> </table>	PART NO.	MCK1067	MAKER	MERITOR	OR PART NO.	MCK1067	DESCRIPTION	Intermediate gear & spring	APPLICATION	LRG536/537/560/561/648/649
PART NO.	MCK1134																						
MAKER	MERITOR																						
OR PART NO.	MCK1134																						
DESCRIPTION	Guide pins																						
APPLICATION	LRG536/537/552/553/648/649																						
PART NO.	MCK1067																						
MAKER	MERITOR																						
OR PART NO.	MCK1067																						
DESCRIPTION	Intermediate gear & spring																						
APPLICATION	LRG536/537/560/561/648/649																						
	<table border="1"> <tr><td>PART NO.</td><td>SJ4096/97</td></tr> <tr><td>MAKER</td><td>MERITOR</td></tr> <tr><td>OR PART NO.</td><td>SJ4096/97</td></tr> <tr><td>DESCRIPTION</td><td>Operating shaft lever (left/right)</td></tr> <tr><td>APPLICATION</td><td>LRG536/37/596/597</td></tr> </table>	PART NO.	SJ4096/97	MAKER	MERITOR	OR PART NO.	SJ4096/97	DESCRIPTION	Operating shaft lever (left/right)	APPLICATION	LRG536/37/596/597		<table border="1"> <tr><td>PART NO.</td><td>MCK1299</td></tr> <tr><td>MAKER</td><td>MERITOR</td></tr> <tr><td>OR PART NO.</td><td>MCK1299</td></tr> <tr><td>DESCRIPTION</td><td>Guide pin bolt & dust cover</td></tr> <tr><td>APPLICATION</td><td>LRG536/537/552/553/560/561/648/649</td></tr> </table>	PART NO.	MCK1299	MAKER	MERITOR	OR PART NO.	MCK1299	DESCRIPTION	Guide pin bolt & dust cover	APPLICATION	LRG536/537/552/553/560/561/648/649
PART NO.	SJ4096/97																						
MAKER	MERITOR																						
OR PART NO.	SJ4096/97																						
DESCRIPTION	Operating shaft lever (left/right)																						
APPLICATION	LRG536/37/596/597																						
PART NO.	MCK1299																						
MAKER	MERITOR																						
OR PART NO.	MCK1299																						
DESCRIPTION	Guide pin bolt & dust cover																						
APPLICATION	LRG536/537/552/553/560/561/648/649																						
	<table border="1"> <tr><td>PART NO.</td><td>68324854PK10</td></tr> <tr><td>MAKER</td><td>MERITOR</td></tr> <tr><td>OR PART NO.</td><td>68324854PK10</td></tr> <tr><td>DESCRIPTION</td><td>Tappet dust cover</td></tr> <tr><td>APPLICATION</td><td>LRG536/537/552/553/560/561/648/649</td></tr> </table>	PART NO.	68324854PK10	MAKER	MERITOR	OR PART NO.	68324854PK10	DESCRIPTION	Tappet dust cover	APPLICATION	LRG536/537/552/553/560/561/648/649		<table border="1"> <tr><td>PART NO.</td><td>MCK1238</td></tr> <tr><td>MAKER</td><td>MERITOR</td></tr> <tr><td>OR PART NO.</td><td>MCK1238</td></tr> <tr><td>DESCRIPTION</td><td>Tappet head</td></tr> <tr><td>APPLICATION</td><td>LRG536/537/552/553/648/649</td></tr> </table>	PART NO.	MCK1238	MAKER	MERITOR	OR PART NO.	MCK1238	DESCRIPTION	Tappet head	APPLICATION	LRG536/537/552/553/648/649
PART NO.	68324854PK10																						
MAKER	MERITOR																						
OR PART NO.	68324854PK10																						
DESCRIPTION	Tappet dust cover																						
APPLICATION	LRG536/537/552/553/560/561/648/649																						
PART NO.	MCK1238																						
MAKER	MERITOR																						
OR PART NO.	MCK1238																						
DESCRIPTION	Tappet head																						
APPLICATION	LRG536/537/552/553/648/649																						
	<table border="1"> <tr><td>PART NO.</td><td>MCK1264</td></tr> <tr><td>MAKER</td><td>MERITOR</td></tr> <tr><td>OR PART NO.</td><td>MCK1264</td></tr> <tr><td>DESCRIPTION</td><td>Pad retainer</td></tr> <tr><td>APPLICATION</td><td>LRG536/537/552/553/560/561/648/649</td></tr> </table>	PART NO.	MCK1264	MAKER	MERITOR	OR PART NO.	MCK1264	DESCRIPTION	Pad retainer	APPLICATION	LRG536/537/552/553/560/561/648/649		<table border="1"> <tr><td>PART NO.</td><td>MCK1236/37</td></tr> <tr><td>MAKER</td><td>MERITOR</td></tr> <tr><td>OR PART NO.</td><td>MCK1236/37</td></tr> <tr><td>DESCRIPTION</td><td>Adjusting tappet mech (left/right)</td></tr> <tr><td>APPLICATION</td><td>LRG536/537/560/561/597/598/648/649</td></tr> </table>	PART NO.	MCK1236/37	MAKER	MERITOR	OR PART NO.	MCK1236/37	DESCRIPTION	Adjusting tappet mech (left/right)	APPLICATION	LRG536/537/560/561/597/598/648/649
PART NO.	MCK1264																						
MAKER	MERITOR																						
OR PART NO.	MCK1264																						
DESCRIPTION	Pad retainer																						
APPLICATION	LRG536/537/552/553/560/561/648/649																						
PART NO.	MCK1236/37																						
MAKER	MERITOR																						
OR PART NO.	MCK1236/37																						
DESCRIPTION	Adjusting tappet mech (left/right)																						
APPLICATION	LRG536/537/560/561/597/598/648/649																						
	<table border="1"> <tr><td>PART NO.</td><td>CMSK7.12</td></tr> <tr><td>MAKER</td><td>MERITOR</td></tr> <tr><td>OR PART NO.</td><td>Euclid only</td></tr> <tr><td>DESCRIPTION</td><td>Plug retain (access adj. device)</td></tr> <tr><td>APPLICATION</td><td>LRG536/537/652/653</td></tr> </table>	PART NO.	CMSK7.12	MAKER	MERITOR	OR PART NO.	Euclid only	DESCRIPTION	Plug retain (access adj. device)	APPLICATION	LRG536/537/652/653		<table border="1"> <tr><td>PART NO.</td><td>MCK1067</td></tr> <tr><td>MAKER</td><td>MERITOR</td></tr> <tr><td>OR PART NO.</td><td>MCK1067</td></tr> <tr><td>DESCRIPTION</td><td>Intermediate gear & spring</td></tr> <tr><td>APPLICATION</td><td>LRG536/537/652/653</td></tr> </table>	PART NO.	MCK1067	MAKER	MERITOR	OR PART NO.	MCK1067	DESCRIPTION	Intermediate gear & spring	APPLICATION	LRG536/537/652/653
PART NO.	CMSK7.12																						
MAKER	MERITOR																						
OR PART NO.	Euclid only																						
DESCRIPTION	Plug retain (access adj. device)																						
APPLICATION	LRG536/537/652/653																						
PART NO.	MCK1067																						
MAKER	MERITOR																						
OR PART NO.	MCK1067																						
DESCRIPTION	Intermediate gear & spring																						
APPLICATION	LRG536/537/652/653																						

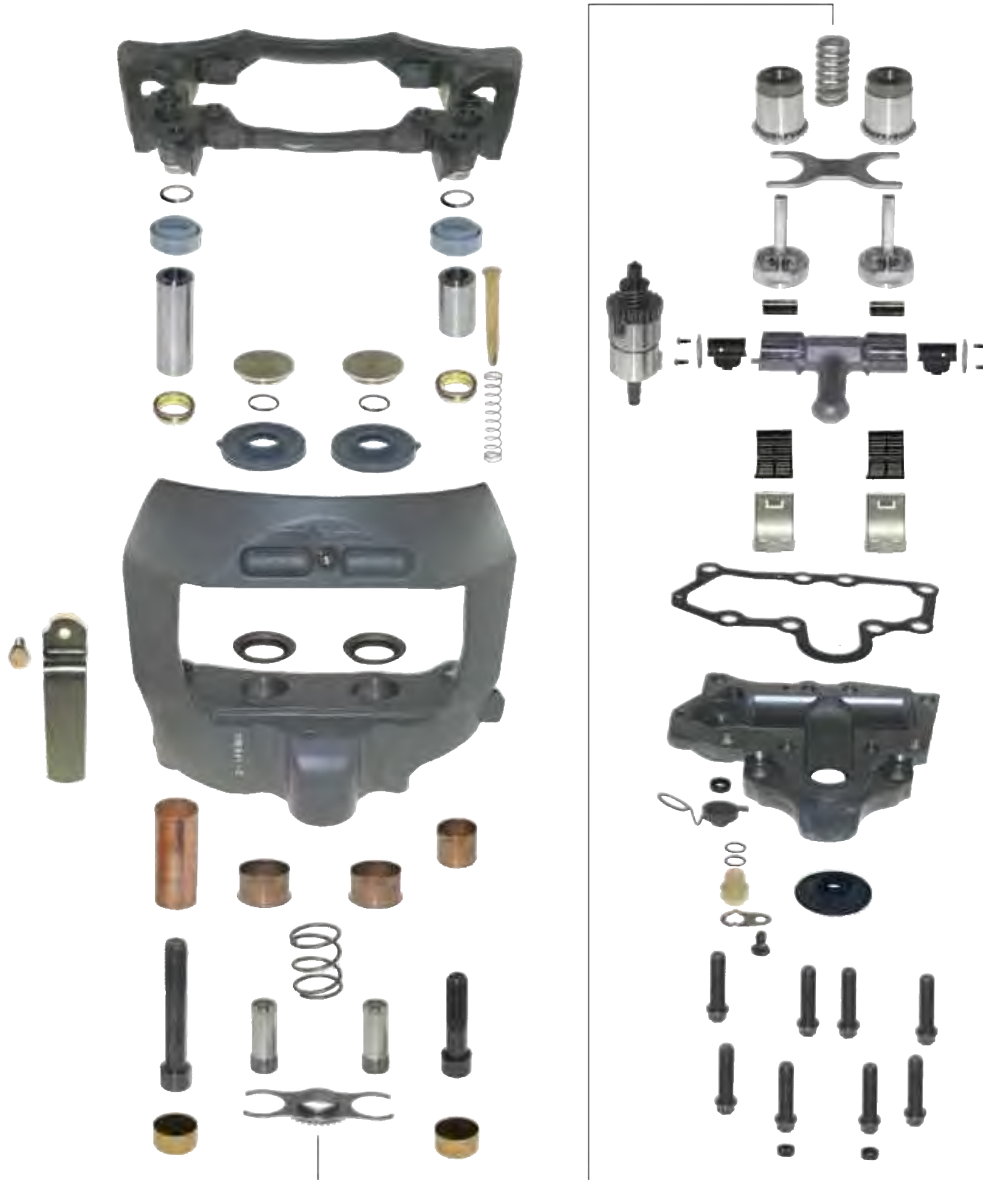
[MORE KITS NEXT PAGE](#)



C & D DUCO - MERITOR CALIPERS


LRG536/537/552/553/560/561/596/597/598/599/648/649/652/653 Types

TYPICAL EXPLODED VIEW OF MOST KEY MODELS ARE EXPOSED HERE, TO HELP YOU TO CHOOSE CORRECT REPAIR KITS.



C & D DUCO - MERITOR CALIPERS

LRG536/537/552/553/560/561/596/597/598/599/648/649/652/653 Types

	<table border="1"> <tr><td>PART NO.</td><td>SJ4111</td></tr> <tr><td>MAKER</td><td>MERITOR</td></tr> <tr><td>OR PART NO.</td><td>SJ4111</td></tr> <tr><td>DESCRIPTION</td><td>Visual pad Wear assembly</td></tr> <tr><td>APPLICATION</td><td>LRG536/37/52/53 /60/61/648/49</td></tr> </table>	PART NO.	SJ4111	MAKER	MERITOR	OR PART NO.	SJ4111	DESCRIPTION	Visual pad Wear assembly	APPLICATION	LRG536/37/52/53 /60/61/648/49		<table border="1"> <tr><td>PART NO.</td><td>SJ4112</td></tr> <tr><td>MAKER</td><td>MERITOR</td></tr> <tr><td>OR PART NO.</td><td>SJ4112</td></tr> <tr><td>DESCRIPTION</td><td>Bearings</td></tr> <tr><td>APPLICATION</td><td>LRG536/37/52/53/60 /61/96/97/98/99 /648/49/52/53</td></tr> </table>	PART NO.	SJ4112	MAKER	MERITOR	OR PART NO.	SJ4112	DESCRIPTION	Bearings	APPLICATION	LRG536/37/52/53/60 /61/96/97/98/99 /648/49/52/53
PART NO.	SJ4111																						
MAKER	MERITOR																						
OR PART NO.	SJ4111																						
DESCRIPTION	Visual pad Wear assembly																						
APPLICATION	LRG536/37/52/53 /60/61/648/49																						
PART NO.	SJ4112																						
MAKER	MERITOR																						
OR PART NO.	SJ4112																						
DESCRIPTION	Bearings																						
APPLICATION	LRG536/37/52/53/60 /61/96/97/98/99 /648/49/52/53																						
	<table border="1"> <tr><td>PART NO.</td><td>SJ4105</td></tr> <tr><td>MAKER</td><td>MERITOR</td></tr> <tr><td>OR PART NO.</td><td>SJ4105</td></tr> <tr><td>DESCRIPTION</td><td>Cover plate seal</td></tr> <tr><td>APPLICATION</td><td>LRG536/537/560 /561/648/649</td></tr> </table>	PART NO.	SJ4105	MAKER	MERITOR	OR PART NO.	SJ4105	DESCRIPTION	Cover plate seal	APPLICATION	LRG536/537/560 /561/648/649		<table border="1"> <tr><td>PART NO.</td><td>68322655PK10</td></tr> <tr><td>MAKER</td><td>MERITOR</td></tr> <tr><td>OR PART NO.</td><td>68322655PK10</td></tr> <tr><td>DESCRIPTION</td><td>Adjuster stem dust</td></tr> <tr><td>APPLICATION</td><td>LRG536/37/52/53 /60/61/648/49</td></tr> </table>	PART NO.	68322655PK10	MAKER	MERITOR	OR PART NO.	68322655PK10	DESCRIPTION	Adjuster stem dust	APPLICATION	LRG536/37/52/53 /60/61/648/49
PART NO.	SJ4105																						
MAKER	MERITOR																						
OR PART NO.	SJ4105																						
DESCRIPTION	Cover plate seal																						
APPLICATION	LRG536/537/560 /561/648/649																						
PART NO.	68322655PK10																						
MAKER	MERITOR																						
OR PART NO.	68322655PK10																						
DESCRIPTION	Adjuster stem dust																						
APPLICATION	LRG536/37/52/53 /60/61/648/49																						
	<table border="1"> <tr><td>PART NO.</td><td>SJ4102 MCK1111</td></tr> <tr><td>MAKER</td><td>MERITOR</td></tr> <tr><td>OR PART NO.</td><td>SJ4102 MCK1111</td></tr> <tr><td>DESCRIPTION</td><td>Automatic adj. (anti-clockwise)</td></tr> <tr><td>APPLICATION</td><td>LRG536/652</td></tr> </table>	PART NO.	SJ4102 MCK1111	MAKER	MERITOR	OR PART NO.	SJ4102 MCK1111	DESCRIPTION	Automatic adj. (anti-clockwise)	APPLICATION	LRG536/652		<table border="1"> <tr><td>PART NO.</td><td>SJ4103 MCK1112</td></tr> <tr><td>MAKER</td><td>MERITOR</td></tr> <tr><td>OR PART NO.</td><td>SJ4103 MCK1112</td></tr> <tr><td>DESCRIPTION</td><td>Automatic adj. (clockwise)</td></tr> <tr><td>APPLICATION</td><td>LRG537/653</td></tr> </table>	PART NO.	SJ4103 MCK1112	MAKER	MERITOR	OR PART NO.	SJ4103 MCK1112	DESCRIPTION	Automatic adj. (clockwise)	APPLICATION	LRG537/653
PART NO.	SJ4102 MCK1111																						
MAKER	MERITOR																						
OR PART NO.	SJ4102 MCK1111																						
DESCRIPTION	Automatic adj. (anti-clockwise)																						
APPLICATION	LRG536/652																						
PART NO.	SJ4103 MCK1112																						
MAKER	MERITOR																						
OR PART NO.	SJ4103 MCK1112																						
DESCRIPTION	Automatic adj. (clockwise)																						
APPLICATION	LRG537/653																						
	<table border="1"> <tr><td>PART NO.</td><td>68322563PK4</td></tr> <tr><td>MAKER</td><td>MERITOR</td></tr> <tr><td>OR PART NO.</td><td>68322563PK4</td></tr> <tr><td>DESCRIPTION</td><td>Small gear mechanism</td></tr> <tr><td>APPLICATION</td><td>LRG536/652</td></tr> </table>	PART NO.	68322563PK4	MAKER	MERITOR	OR PART NO.	68322563PK4	DESCRIPTION	Small gear mechanism	APPLICATION	LRG536/652		<table border="1"> <tr><td>PART NO.</td><td>68322562PK4</td></tr> <tr><td>MAKER</td><td>MERITOR</td></tr> <tr><td>OR PART NO.</td><td>68322562PK4</td></tr> <tr><td>DESCRIPTION</td><td>Small gear mechanism</td></tr> <tr><td>APPLICATION</td><td>LRG537/653</td></tr> </table>	PART NO.	68322562PK4	MAKER	MERITOR	OR PART NO.	68322562PK4	DESCRIPTION	Small gear mechanism	APPLICATION	LRG537/653
PART NO.	68322563PK4																						
MAKER	MERITOR																						
OR PART NO.	68322563PK4																						
DESCRIPTION	Small gear mechanism																						
APPLICATION	LRG536/652																						
PART NO.	68322562PK4																						
MAKER	MERITOR																						
OR PART NO.	68322562PK4																						
DESCRIPTION	Small gear mechanism																						
APPLICATION	LRG537/653																						
	<table border="1"> <tr><td>PART NO.</td><td>68322900PK10</td></tr> <tr><td>MAKER</td><td>MERITOR</td></tr> <tr><td>OR PART NO.</td><td>68322900PK10</td></tr> <tr><td>DESCRIPTION</td><td>Tappet anti rotation plate</td></tr> <tr><td>APPLICATION</td><td>LRG536/537 /560/561</td></tr> </table>	PART NO.	68322900PK10	MAKER	MERITOR	OR PART NO.	68322900PK10	DESCRIPTION	Tappet anti rotation plate	APPLICATION	LRG536/537 /560/561												
PART NO.	68322900PK10																						
MAKER	MERITOR																						
OR PART NO.	68322900PK10																						
DESCRIPTION	Tappet anti rotation plate																						
APPLICATION	LRG536/537 /560/561																						



WABCO CALIPERS











17.5" Type

TYPICAL EXPLODED VIEW OF MOST KEY MODELS ARE EXPOSED HERE, TO HELP YOU TO CHOOSE CORRECT REPAIR KITS.



WABCO CALIPERS

17.5" Type

	<table border="1"> <tr><td>PART NO.</td><td>CWSK.2</td></tr> <tr><td>MAKER</td><td>WABCO</td></tr> <tr><td>OR PART NO.</td><td>12 999 699</td></tr> <tr><td>DESCRIPTION</td><td>Guide & seals</td></tr> <tr><td>APPLICATION</td><td>40 175 058/59/60 /61/70/71/72/73</td></tr> </table>	PART NO.	CWSK.2	MAKER	WABCO	OR PART NO.	12 999 699	DESCRIPTION	Guide & seals	APPLICATION	40 175 058/59/60 /61/70/71/72/73		<table border="1"> <tr><td>PART NO.</td><td>CWSK.7</td></tr> <tr><td>MAKER</td><td>WABCO</td></tr> <tr><td>OR PART NO.</td><td>12 999 704</td></tr> <tr><td>DESCRIPTION</td><td>Seals & boots</td></tr> <tr><td>APPLICATION</td><td>40 175 062/63 /64/65</td></tr> </table>	PART NO.	CWSK.7	MAKER	WABCO	OR PART NO.	12 999 704	DESCRIPTION	Seals & boots	APPLICATION	40 175 062/63 /64/65
PART NO.	CWSK.2																						
MAKER	WABCO																						
OR PART NO.	12 999 699																						
DESCRIPTION	Guide & seals																						
APPLICATION	40 175 058/59/60 /61/70/71/72/73																						
PART NO.	CWSK.7																						
MAKER	WABCO																						
OR PART NO.	12 999 704																						
DESCRIPTION	Seals & boots																						
APPLICATION	40 175 062/63 /64/65																						
	<table border="1"> <tr><td>PART NO.</td><td>CWSK.8</td></tr> <tr><td>MAKER</td><td>WABCO</td></tr> <tr><td>OR PART NO.</td><td>12 999 580</td></tr> <tr><td>DESCRIPTION</td><td>Seals & boots</td></tr> <tr><td>APPLICATION</td><td>40 175 025/26/27 /28/49/50/51/52</td></tr> </table>	PART NO.	CWSK.8	MAKER	WABCO	OR PART NO.	12 999 580	DESCRIPTION	Seals & boots	APPLICATION	40 175 025/26/27 /28/49/50/51/52		<table border="1"> <tr><td>PART NO.</td><td>CWSK.3</td></tr> <tr><td>MAKER</td><td>WABCO</td></tr> <tr><td>OR PART NO.</td><td>12 999 729</td></tr> <tr><td>DESCRIPTION</td><td>Guide & seals</td></tr> <tr><td>APPLICATION</td><td>40 100 001/02/03 04/05/06</td></tr> </table>	PART NO.	CWSK.3	MAKER	WABCO	OR PART NO.	12 999 729	DESCRIPTION	Guide & seals	APPLICATION	40 100 001/02/03 04/05/06
PART NO.	CWSK.8																						
MAKER	WABCO																						
OR PART NO.	12 999 580																						
DESCRIPTION	Seals & boots																						
APPLICATION	40 175 025/26/27 /28/49/50/51/52																						
PART NO.	CWSK.3																						
MAKER	WABCO																						
OR PART NO.	12 999 729																						
DESCRIPTION	Guide & seals																						
APPLICATION	40 100 001/02/03 04/05/06																						
	<table border="1"> <tr><td>PART NO.</td><td>CWSK.11</td></tr> <tr><td>MAKER</td><td>WABCO</td></tr> <tr><td>OR PART NO.</td><td>844 503 503 2</td></tr> <tr><td>DESCRIPTION</td><td>Boot & caps</td></tr> <tr><td>APPLICATION</td><td>640 175 074 /75/76/77</td></tr> </table>	PART NO.	CWSK.11	MAKER	WABCO	OR PART NO.	844 503 503 2	DESCRIPTION	Boot & caps	APPLICATION	640 175 074 /75/76/77		<table border="1"> <tr><td>PART NO.</td><td>CWSK.10</td></tr> <tr><td>MAKER</td><td>WABCO</td></tr> <tr><td>OR PART NO.</td><td>844 503 024 2</td></tr> <tr><td>DESCRIPTION</td><td>Guide, seals & boots</td></tr> <tr><td>APPLICATION</td><td>640 175 074 /75/76/77</td></tr> </table>	PART NO.	CWSK.10	MAKER	WABCO	OR PART NO.	844 503 024 2	DESCRIPTION	Guide, seals & boots	APPLICATION	640 175 074 /75/76/77
PART NO.	CWSK.11																						
MAKER	WABCO																						
OR PART NO.	844 503 503 2																						
DESCRIPTION	Boot & caps																						
APPLICATION	640 175 074 /75/76/77																						
PART NO.	CWSK.10																						
MAKER	WABCO																						
OR PART NO.	844 503 024 2																						
DESCRIPTION	Guide, seals & boots																						
APPLICATION	640 175 074 /75/76/77																						
	<table border="1"> <tr><td>PART NO.</td><td>CWSK.17.1</td></tr> <tr><td>MAKER</td><td>WABCO</td></tr> <tr><td>OR PART NO.</td><td>-</td></tr> <tr><td>DESCRIPTION</td><td>Boots & seals</td></tr> <tr><td>APPLICATION</td><td>40 175 051/52 40 175 070/71</td></tr> </table>	PART NO.	CWSK.17.1	MAKER	WABCO	OR PART NO.	-	DESCRIPTION	Boots & seals	APPLICATION	40 175 051/52 40 175 070/71		<table border="1"> <tr><td>PART NO.</td><td>CWSK.17.2</td></tr> <tr><td>MAKER</td><td>WABCO</td></tr> <tr><td>OR PART NO.</td><td>-</td></tr> <tr><td>DESCRIPTION</td><td>Guides & screws</td></tr> <tr><td>APPLICATION</td><td>40 175 051/52 40 175 070/71</td></tr> </table>	PART NO.	CWSK.17.2	MAKER	WABCO	OR PART NO.	-	DESCRIPTION	Guides & screws	APPLICATION	40 175 051/52 40 175 070/71
PART NO.	CWSK.17.1																						
MAKER	WABCO																						
OR PART NO.	-																						
DESCRIPTION	Boots & seals																						
APPLICATION	40 175 051/52 40 175 070/71																						
PART NO.	CWSK.17.2																						
MAKER	WABCO																						
OR PART NO.	-																						
DESCRIPTION	Guides & screws																						
APPLICATION	40 175 051/52 40 175 070/71																						
	<table border="1"> <tr><td>PART NO.</td><td>CWSK.17.3</td></tr> <tr><td>MAKER</td><td>WABCO</td></tr> <tr><td>OR PART NO.</td><td>-</td></tr> <tr><td>DESCRIPTION</td><td>Push plate (left)</td></tr> <tr><td>APPLICATION</td><td>40 175 051 40 175 070</td></tr> </table>	PART NO.	CWSK.17.3	MAKER	WABCO	OR PART NO.	-	DESCRIPTION	Push plate (left)	APPLICATION	40 175 051 40 175 070		<table border="1"> <tr><td>PART NO.</td><td>CWSK.17.5</td></tr> <tr><td>MAKER</td><td>WABCO</td></tr> <tr><td>OR PART NO.</td><td>-</td></tr> <tr><td>DESCRIPTION</td><td>Push plate (right)</td></tr> <tr><td>APPLICATION</td><td>40 175 052 40 175 071</td></tr> </table>	PART NO.	CWSK.17.5	MAKER	WABCO	OR PART NO.	-	DESCRIPTION	Push plate (right)	APPLICATION	40 175 052 40 175 071
PART NO.	CWSK.17.3																						
MAKER	WABCO																						
OR PART NO.	-																						
DESCRIPTION	Push plate (left)																						
APPLICATION	40 175 051 40 175 070																						
PART NO.	CWSK.17.5																						
MAKER	WABCO																						
OR PART NO.	-																						
DESCRIPTION	Push plate (right)																						
APPLICATION	40 175 052 40 175 071																						

[MORE KITS NEXT PAGE](#)



WABCO CALIPERS


17.5" Type

TYPICAL EXPLODED VIEW OF MOST KEY MODELS ARE EXPOSED HERE, TO HELP YOU TO CHOOSE CORRECT REPAIR KITS.



WABCO CALIPERS

17.5" Type

	<table border="1"> <tr> <td>PART NO.</td> <td>CWSK.12.4</td> </tr> <tr> <td>MAKER</td> <td>WABCO</td> </tr> <tr> <td>OR PART NO.</td> <td>-</td> </tr> <tr> <td>DESCRIPTION</td> <td>Joint & seals</td> </tr> <tr> <td>APPLICATION</td> <td>40 160... 40 175.../195...</td> </tr> </table>	PART NO.	CWSK.12.4	MAKER	WABCO	OR PART NO.	-	DESCRIPTION	Joint & seals	APPLICATION	40 160... 40 175.../195...		<table border="1"> <tr> <td>PART NO.</td> <td>CWSK.12</td> </tr> <tr> <td>MAKER</td> <td>WABCO</td> </tr> <tr> <td>OR PART NO.</td> <td>12 999 704</td> </tr> <tr> <td>DESCRIPTION</td> <td>Half bearings</td> </tr> <tr> <td>APPLICATION</td> <td>40 160... 40 175.../195...</td> </tr> </table>	PART NO.	CWSK.12	MAKER	WABCO	OR PART NO.	12 999 704	DESCRIPTION	Half bearings	APPLICATION	40 160... 40 175.../195...
PART NO.	CWSK.12.4																						
MAKER	WABCO																						
OR PART NO.	-																						
DESCRIPTION	Joint & seals																						
APPLICATION	40 160... 40 175.../195...																						
PART NO.	CWSK.12																						
MAKER	WABCO																						
OR PART NO.	12 999 704																						
DESCRIPTION	Half bearings																						
APPLICATION	40 160... 40 175.../195...																						
	<table border="1"> <tr> <td>PART NO.</td> <td>CWSK.12.3</td> </tr> <tr> <td>MAKER</td> <td>WABCO</td> </tr> <tr> <td>OR PART NO.</td> <td>-</td> </tr> <tr> <td>DESCRIPTION</td> <td>Lever & pin</td> </tr> <tr> <td>APPLICATION</td> <td>40 160... 40 175.../195...</td> </tr> </table>	PART NO.	CWSK.12.3	MAKER	WABCO	OR PART NO.	-	DESCRIPTION	Lever & pin	APPLICATION	40 160... 40 175.../195...		<table border="1"> <tr> <td>PART NO.</td> <td>CWSK.12.1</td> </tr> <tr> <td>MAKER</td> <td>WABCO</td> </tr> <tr> <td>OR PART NO.</td> <td>-</td> </tr> <tr> <td>DESCRIPTION</td> <td>Adjusting mechanism</td> </tr> <tr> <td>APPLICATION</td> <td>-</td> </tr> </table>	PART NO.	CWSK.12.1	MAKER	WABCO	OR PART NO.	-	DESCRIPTION	Adjusting mechanism	APPLICATION	-
PART NO.	CWSK.12.3																						
MAKER	WABCO																						
OR PART NO.	-																						
DESCRIPTION	Lever & pin																						
APPLICATION	40 160... 40 175.../195...																						
PART NO.	CWSK.12.1																						
MAKER	WABCO																						
OR PART NO.	-																						
DESCRIPTION	Adjusting mechanism																						
APPLICATION	-																						
	<table border="1"> <tr> <td>PART NO.</td> <td>CWSK.12.2</td> </tr> <tr> <td>MAKER</td> <td>WABCO</td> </tr> <tr> <td>OR PART NO.</td> <td>-</td> </tr> <tr> <td>DESCRIPTION</td> <td>Adj mechanism & bridge</td> </tr> <tr> <td>APPLICATION</td> <td>-</td> </tr> </table>	PART NO.	CWSK.12.2	MAKER	WABCO	OR PART NO.	-	DESCRIPTION	Adj mechanism & bridge	APPLICATION	-												
PART NO.	CWSK.12.2																						
MAKER	WABCO																						
OR PART NO.	-																						
DESCRIPTION	Adj mechanism & bridge																						
APPLICATION	-																						



WABCO CALIPERS









19.5" Type

TYPICAL EXPLODED VIEW OF MOST KEY MODELS ARE EXPOSED HERE, TO HELP YOU TO CHOOSE CORRECT REPAIR KITS.



WABCO CALIPERS

19.5" Type

	<table border="1"> <tr><td>PART NO.</td><td>CWSK.23</td></tr> <tr><td>MAKER</td><td>WABCO</td></tr> <tr><td>OR PART NO.</td><td>12 999 738VT</td></tr> <tr><td>DESCRIPTION</td><td>Guides & seals</td></tr> <tr><td>APPLICATION</td><td>40 195 001/02 40 195 003/04</td></tr> </table>	PART NO.	CWSK.23	MAKER	WABCO	OR PART NO.	12 999 738VT	DESCRIPTION	Guides & seals	APPLICATION	40 195 001/02 40 195 003/04		<table border="1"> <tr><td>PART NO.</td><td>CWSK.5</td></tr> <tr><td>MAKER</td><td>WABCO</td></tr> <tr><td>OR PART NO.</td><td>12 999 746</td></tr> <tr><td>DESCRIPTION</td><td>Guides & seals</td></tr> <tr><td>APPLICATION</td><td>40 195 007/08/09 40 195 010/11</td></tr> </table>	PART NO.	CWSK.5	MAKER	WABCO	OR PART NO.	12 999 746	DESCRIPTION	Guides & seals	APPLICATION	40 195 007/08/09 40 195 010/11
PART NO.	CWSK.23																						
MAKER	WABCO																						
OR PART NO.	12 999 738VT																						
DESCRIPTION	Guides & seals																						
APPLICATION	40 195 001/02 40 195 003/04																						
PART NO.	CWSK.5																						
MAKER	WABCO																						
OR PART NO.	12 999 746																						
DESCRIPTION	Guides & seals																						
APPLICATION	40 195 007/08/09 40 195 010/11																						
	<table border="1"> <tr><td>PART NO.</td><td>CWSK.6</td></tr> <tr><td>MAKER</td><td>WABCO</td></tr> <tr><td>OR PART NO.</td><td>12 999 776</td></tr> <tr><td>DESCRIPTION</td><td>Guides & seals</td></tr> <tr><td>APPLICATION</td><td>40 195 017/18</td></tr> </table>	PART NO.	CWSK.6	MAKER	WABCO	OR PART NO.	12 999 776	DESCRIPTION	Guides & seals	APPLICATION	40 195 017/18		<table border="1"> <tr><td>PART NO.</td><td>CWSK.19.1</td></tr> <tr><td>MAKER</td><td>WABCO</td></tr> <tr><td>OR PART NO.</td><td>-</td></tr> <tr><td>DESCRIPTION</td><td>Boots, seals & caps</td></tr> <tr><td>APPLICATION</td><td>40 195...</td></tr> </table>	PART NO.	CWSK.19.1	MAKER	WABCO	OR PART NO.	-	DESCRIPTION	Boots, seals & caps	APPLICATION	40 195...
PART NO.	CWSK.6																						
MAKER	WABCO																						
OR PART NO.	12 999 776																						
DESCRIPTION	Guides & seals																						
APPLICATION	40 195 017/18																						
PART NO.	CWSK.19.1																						
MAKER	WABCO																						
OR PART NO.	-																						
DESCRIPTION	Boots, seals & caps																						
APPLICATION	40 195...																						
	<table border="1"> <tr><td>PART NO.</td><td>CWSK.19.2</td></tr> <tr><td>MAKER</td><td>WABCO</td></tr> <tr><td>OR PART NO.</td><td>-</td></tr> <tr><td>DESCRIPTION</td><td>Guides & screws</td></tr> <tr><td>APPLICATION</td><td>40 195...</td></tr> </table>	PART NO.	CWSK.19.2	MAKER	WABCO	OR PART NO.	-	DESCRIPTION	Guides & screws	APPLICATION	40 195...		<table border="1"> <tr><td>PART NO.</td><td>CWSK.12.1</td></tr> <tr><td>MAKER</td><td>WABCO</td></tr> <tr><td>OR PART NO.</td><td>-</td></tr> <tr><td>DESCRIPTION</td><td>Adj. mechanism</td></tr> <tr><td>APPLICATION</td><td>-</td></tr> </table>	PART NO.	CWSK.12.1	MAKER	WABCO	OR PART NO.	-	DESCRIPTION	Adj. mechanism	APPLICATION	-
PART NO.	CWSK.19.2																						
MAKER	WABCO																						
OR PART NO.	-																						
DESCRIPTION	Guides & screws																						
APPLICATION	40 195...																						
PART NO.	CWSK.12.1																						
MAKER	WABCO																						
OR PART NO.	-																						
DESCRIPTION	Adj. mechanism																						
APPLICATION	-																						
	<table border="1"> <tr><td>PART NO.</td><td>CWSK.19.3</td></tr> <tr><td>MAKER</td><td>WABCO</td></tr> <tr><td>OR PART NO.</td><td>-</td></tr> <tr><td>DESCRIPTION</td><td>Push plate (left)</td></tr> <tr><td>APPLICATION</td><td>40 195 001 40 195 017</td></tr> </table>	PART NO.	CWSK.19.3	MAKER	WABCO	OR PART NO.	-	DESCRIPTION	Push plate (left)	APPLICATION	40 195 001 40 195 017		<table border="1"> <tr><td>PART NO.</td><td>CWSK.19.5</td></tr> <tr><td>MAKER</td><td>WABCO</td></tr> <tr><td>OR PART NO.</td><td>-</td></tr> <tr><td>DESCRIPTION</td><td>Push plate (right)</td></tr> <tr><td>APPLICATION</td><td>40 195 002 40 195 018</td></tr> </table>	PART NO.	CWSK.19.5	MAKER	WABCO	OR PART NO.	-	DESCRIPTION	Push plate (right)	APPLICATION	40 195 002 40 195 018
PART NO.	CWSK.19.3																						
MAKER	WABCO																						
OR PART NO.	-																						
DESCRIPTION	Push plate (left)																						
APPLICATION	40 195 001 40 195 017																						
PART NO.	CWSK.19.5																						
MAKER	WABCO																						
OR PART NO.	-																						
DESCRIPTION	Push plate (right)																						
APPLICATION	40 195 002 40 195 018																						

[MORE KITS NEXT PAGE](#)



WABCO CALIPERS






19.5" Type

TYPICAL EXPLODED VIEW OF MOST KEY MODELS ARE EXPOSED HERE, TO HELP YOU TO CHOOSE CORRECT REPAIR KITS.



WABCO CALIPERS

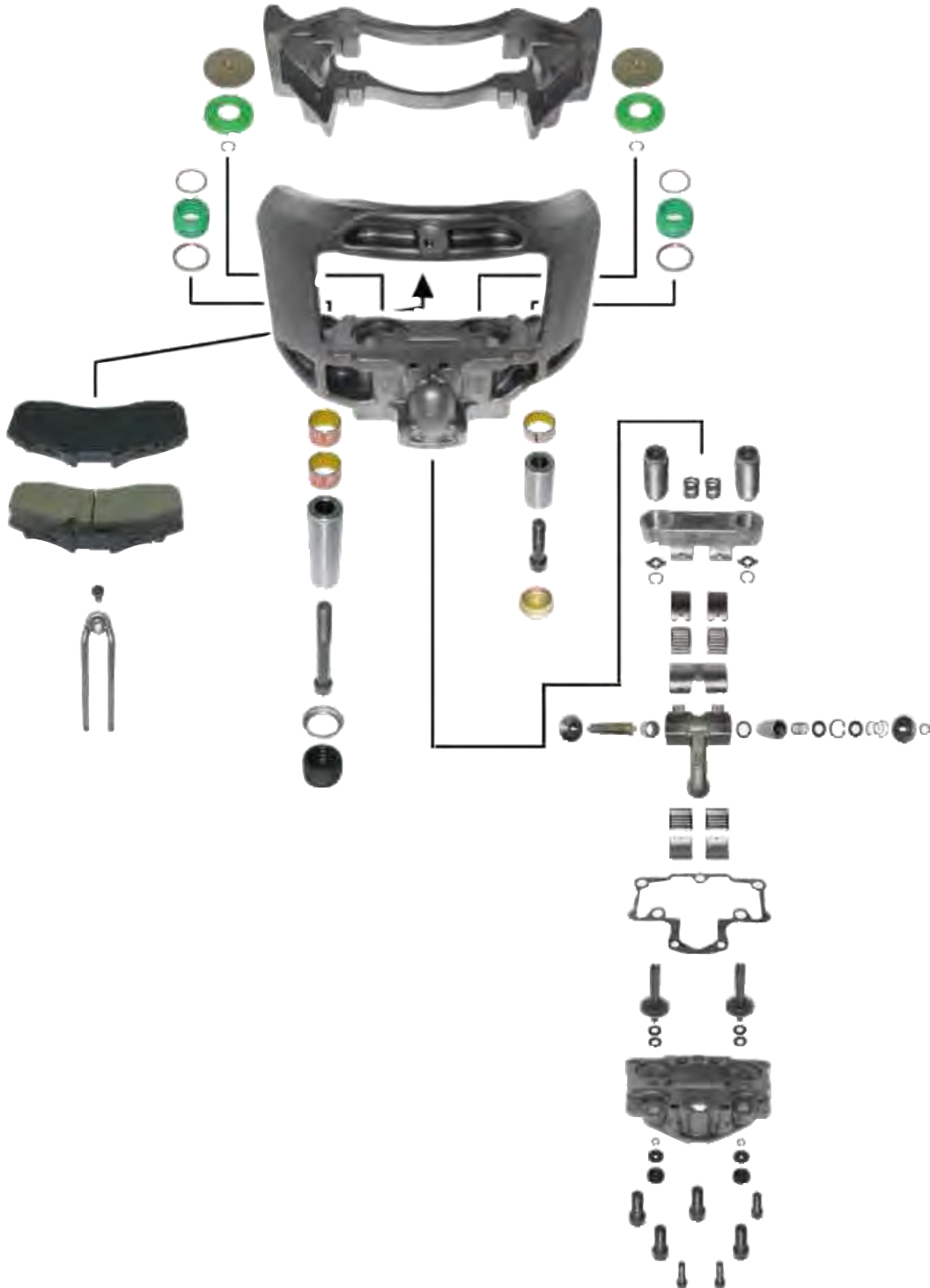
19.5" Type

	<table border="1"> <tr> <td>PART NO.</td> <td>CWSK.12</td> </tr> <tr> <td>MAKER</td> <td>WABCO</td> </tr> <tr> <td>OR PART NO.</td> <td>-</td> </tr> <tr> <td>DESCRIPTION</td> <td>Half bearings</td> </tr> <tr> <td>APPLICATION</td> <td>40 195...</td> </tr> </table>	PART NO.	CWSK.12	MAKER	WABCO	OR PART NO.	-	DESCRIPTION	Half bearings	APPLICATION	40 195...		<table border="1"> <tr> <td>PART NO.</td> <td>CWSK.12.3</td> </tr> <tr> <td>MAKER</td> <td>WABCO</td> </tr> <tr> <td>OR PART NO.</td> <td>-</td> </tr> <tr> <td>DESCRIPTION</td> <td>Lever & pin</td> </tr> <tr> <td>APPLICATION</td> <td>40 195...</td> </tr> </table>	PART NO.	CWSK.12.3	MAKER	WABCO	OR PART NO.	-	DESCRIPTION	Lever & pin	APPLICATION	40 195...
PART NO.	CWSK.12																						
MAKER	WABCO																						
OR PART NO.	-																						
DESCRIPTION	Half bearings																						
APPLICATION	40 195...																						
PART NO.	CWSK.12.3																						
MAKER	WABCO																						
OR PART NO.	-																						
DESCRIPTION	Lever & pin																						
APPLICATION	40 195...																						
	<table border="1"> <tr> <td>PART NO.</td> <td>CWSK.12.4</td> </tr> <tr> <td>MAKER</td> <td>WABCO</td> </tr> <tr> <td>OR PART NO.</td> <td>-</td> </tr> <tr> <td>DESCRIPTION</td> <td>Joint and seals</td> </tr> <tr> <td>APPLICATION</td> <td>40 195...</td> </tr> </table>	PART NO.	CWSK.12.4	MAKER	WABCO	OR PART NO.	-	DESCRIPTION	Joint and seals	APPLICATION	40 195...		<table border="1"> <tr> <td>PART NO.</td> <td>CWSK.4</td> </tr> <tr> <td>MAKER</td> <td>WABCO</td> </tr> <tr> <td>OR PART NO.</td> <td>-</td> </tr> <tr> <td>DESCRIPTION</td> <td>Guide pin kit</td> </tr> <tr> <td>APPLICATION</td> <td>-</td> </tr> </table>	PART NO.	CWSK.4	MAKER	WABCO	OR PART NO.	-	DESCRIPTION	Guide pin kit	APPLICATION	-
PART NO.	CWSK.12.4																						
MAKER	WABCO																						
OR PART NO.	-																						
DESCRIPTION	Joint and seals																						
APPLICATION	40 195...																						
PART NO.	CWSK.4																						
MAKER	WABCO																						
OR PART NO.	-																						
DESCRIPTION	Guide pin kit																						
APPLICATION	-																						
	<table border="1"> <tr> <td>PART NO.</td> <td>CWSK.12.2</td> </tr> <tr> <td>MAKER</td> <td>WABCO</td> </tr> <tr> <td>OR PART NO.</td> <td>-</td> </tr> <tr> <td>DESCRIPTION</td> <td>Adj mechanism & bridge</td> </tr> <tr> <td>APPLICATION</td> <td>-</td> </tr> </table>	PART NO.	CWSK.12.2	MAKER	WABCO	OR PART NO.	-	DESCRIPTION	Adj mechanism & bridge	APPLICATION	-												
PART NO.	CWSK.12.2																						
MAKER	WABCO																						
OR PART NO.	-																						
DESCRIPTION	Adj mechanism & bridge																						
APPLICATION	-																						

WABCO CALIPERS

22.5" Type

TYPICAL EXPLODED VIEW OF MOST KEY MODELS ARE EXPOSED HERE, TO HELP YOU TO CHOOSE CORRECT REPAIR KITS.



WABCO CALIPERS

22.5" Type

	<table border="1"> <tr> <td>PART NO.</td> <td>CWSK.1</td> </tr> <tr> <td>MAKER</td> <td>WABCO</td> </tr> <tr> <td>OR PART NO.</td> <td>12 999 678</td> </tr> <tr> <td>DESCRIPTION</td> <td>Guide & seals</td> </tr> <tr> <td>APPLICATION</td> <td>40 225 003 40 225 004</td> </tr> </table>	PART NO.	CWSK.1	MAKER	WABCO	OR PART NO.	12 999 678	DESCRIPTION	Guide & seals	APPLICATION	40 225 003 40 225 004		<table border="1"> <tr> <td>PART NO.</td> <td>CWSK.9</td> </tr> <tr> <td>MAKER</td> <td>WABCO</td> </tr> <tr> <td>OR PART NO.</td> <td>12 999 677</td> </tr> <tr> <td>DESCRIPTION</td> <td>Seal & boot</td> </tr> <tr> <td>APPLICATION</td> <td>40 225 003 40 225 004</td> </tr> </table>	PART NO.	CWSK.9	MAKER	WABCO	OR PART NO.	12 999 677	DESCRIPTION	Seal & boot	APPLICATION	40 225 003 40 225 004
PART NO.	CWSK.1																						
MAKER	WABCO																						
OR PART NO.	12 999 678																						
DESCRIPTION	Guide & seals																						
APPLICATION	40 225 003 40 225 004																						
PART NO.	CWSK.9																						
MAKER	WABCO																						
OR PART NO.	12 999 677																						
DESCRIPTION	Seal & boot																						
APPLICATION	40 225 003 40 225 004																						
	<table border="1"> <tr> <td>PART NO.</td> <td>CWSK.6</td> </tr> <tr> <td>MAKER</td> <td>WABCO</td> </tr> <tr> <td>OR PART NO.</td> <td>-</td> </tr> <tr> <td>DESCRIPTION</td> <td>Guide pin kit</td> </tr> <tr> <td>APPLICATION</td> <td>-</td> </tr> </table>	PART NO.	CWSK.6	MAKER	WABCO	OR PART NO.	-	DESCRIPTION	Guide pin kit	APPLICATION	-		<table border="1"> <tr> <td>PART NO.</td> <td>CWSK.12.4</td> </tr> <tr> <td>MAKER</td> <td>WABCO</td> </tr> <tr> <td>OR PART NO.</td> <td>12 999 677</td> </tr> <tr> <td>DESCRIPTION</td> <td>Guides & seals</td> </tr> <tr> <td>APPLICATION</td> <td>-</td> </tr> </table>	PART NO.	CWSK.12.4	MAKER	WABCO	OR PART NO.	12 999 677	DESCRIPTION	Guides & seals	APPLICATION	-
PART NO.	CWSK.6																						
MAKER	WABCO																						
OR PART NO.	-																						
DESCRIPTION	Guide pin kit																						
APPLICATION	-																						
PART NO.	CWSK.12.4																						
MAKER	WABCO																						
OR PART NO.	12 999 677																						
DESCRIPTION	Guides & seals																						
APPLICATION	-																						



CALIPER TOOL CASES

	PART NO.	CKSK.21
	MAKER	KNORR
	OR PART NO.	ZB9032
	DESCRIPTION	Caliper tool case
	APPLICATION	All SB... All SN...

	PART NO.	CKSK.21.2
	MAKER	KNORR
	OR PART NO.	Z003934
	DESCRIPTION	Additional tool
	APPLICATION	All SB... All SN...

	PART NO.	CMSK.22
	MAKER	MERITOR
	OR PART NO.	MBT1000 MST 1000
	DESCRIPTION	Meritor tool kit
	APPLICATION	-



NOTES



A series of horizontal dotted lines for writing notes, spanning the width of the page.

NOTES



A series of horizontal dotted lines for writing notes, spanning the width of the page.



Meritor Heavy Vehicle Systems Australia Limited
50 Calarco Drive
DERRIMUT VIC 3026
AUSTRALIA
Phone: (613) 8353 6050 Fax: (613) 8353 6060
E-mail: cvaau.sales@meritor.com
meritorpartsonline.com.au

DISC BRAKE CALIPER REPAIR KITS
REF.: EU1019